

FITMENT INSTRUCTIONS

Alu-Cab™

Gen 3 Tent to Canopy



All rights reserved. No part of this document may be reproduced, translated, stored in a retrieval system, or transmitted, in any form or by any means, electronic, mechanical, photocopying, recording or otherwise, without prior written permission of the owner.

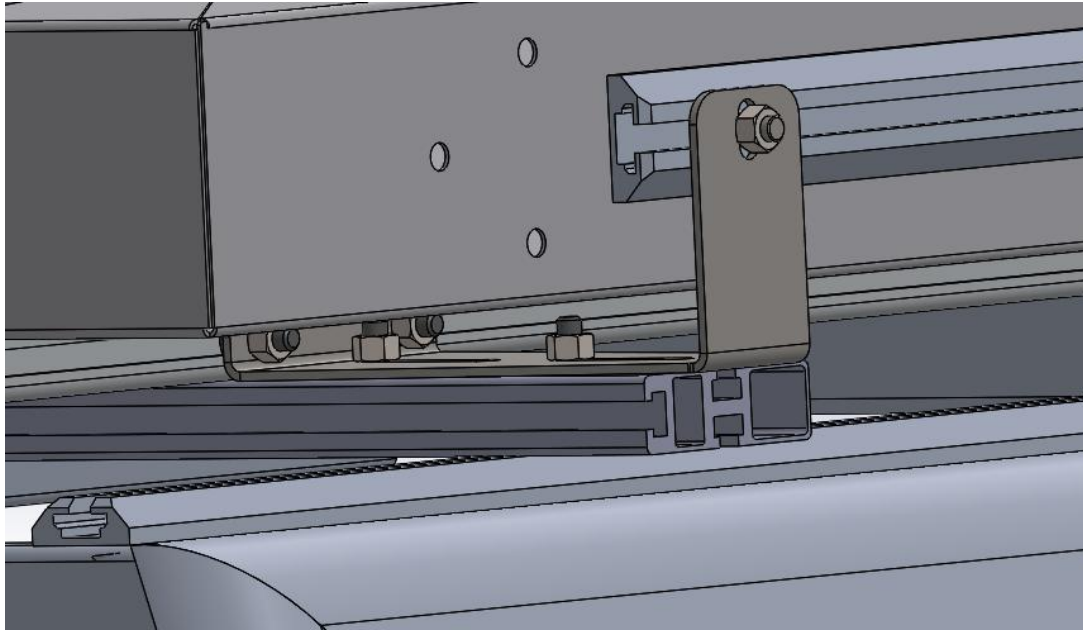
Review all instructions information carefully before installation.

Any damages, direct or incidental to the installer and/or property due to incorrect installation of any parts are the responsibility of the installer. Due to the various applications and fitment options available, the responsibility lies with the user to ensure all mounting points are secure and tight before every trip. If unsure, consult with your Distributor regarding the operations of our products.

Users are advised to be mindful of the load they are carrying and drive in accordance with road conditions.

DISCLAIMER

Alu-Cab



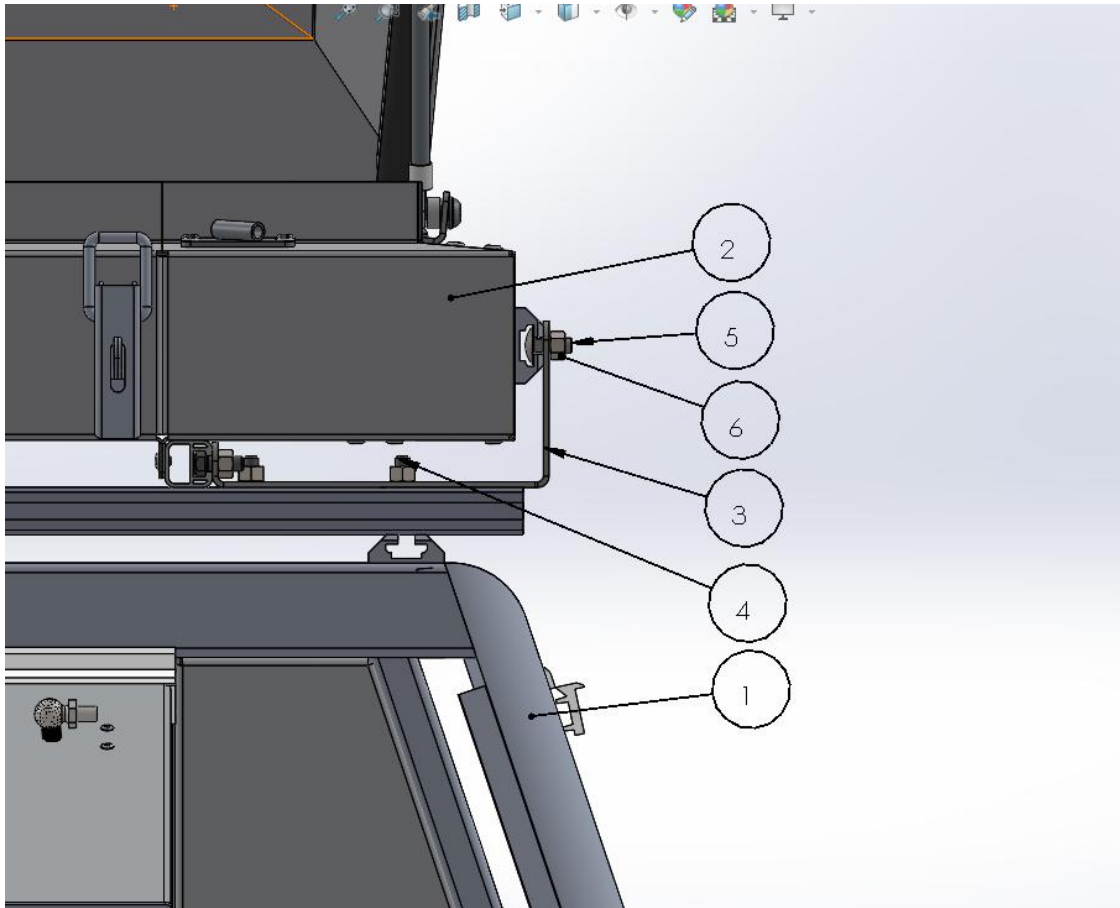
LIST OF COMPONENTS:

Item No.	Part number	Description	Qty
1	Canopy	Canopy	1
2	PRT-0000-02-00000	Gen 3 Roof Top Tent	1
3	Tent Support Mounting Bracket	Tent Support Mounting Bracket	4
4	M8x20 Hex Bolt	M8x20 Hex Bolt	16
5	M8x20 Cup Square Bolt	M8x20 Cup Square Bolt	4
6	M8 Nyloc Nut	M8 Nyloc Nut	20
7	M8 Flat washer	M8 Flat washer	20
8	M8 Plastic nut cap	M8 Plastic nut cap	20

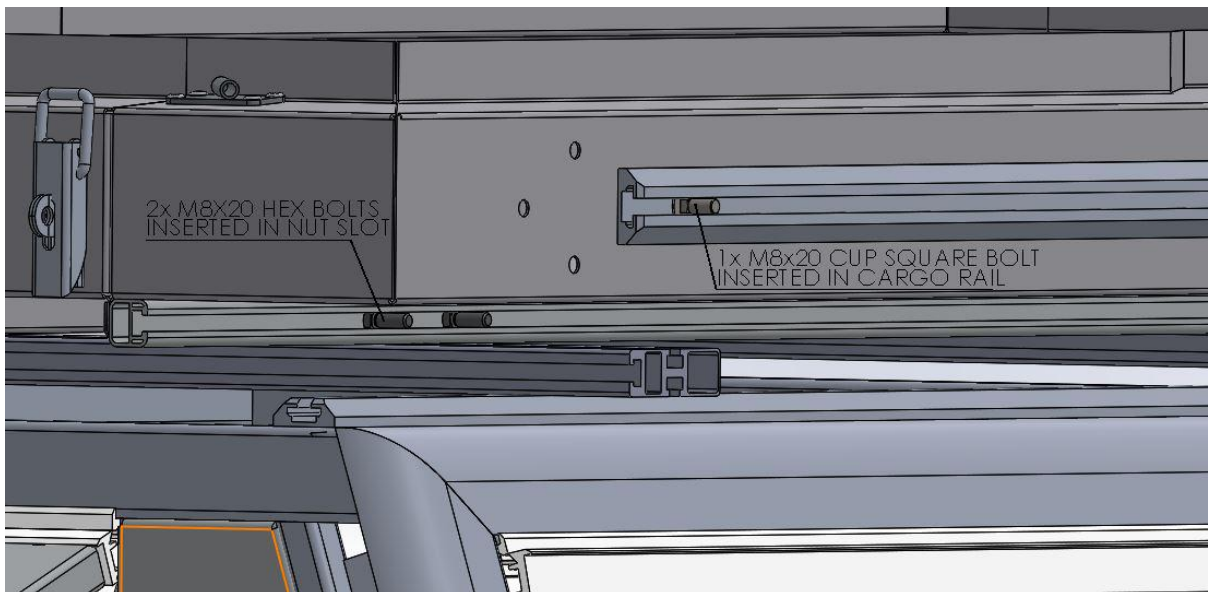


WARNING

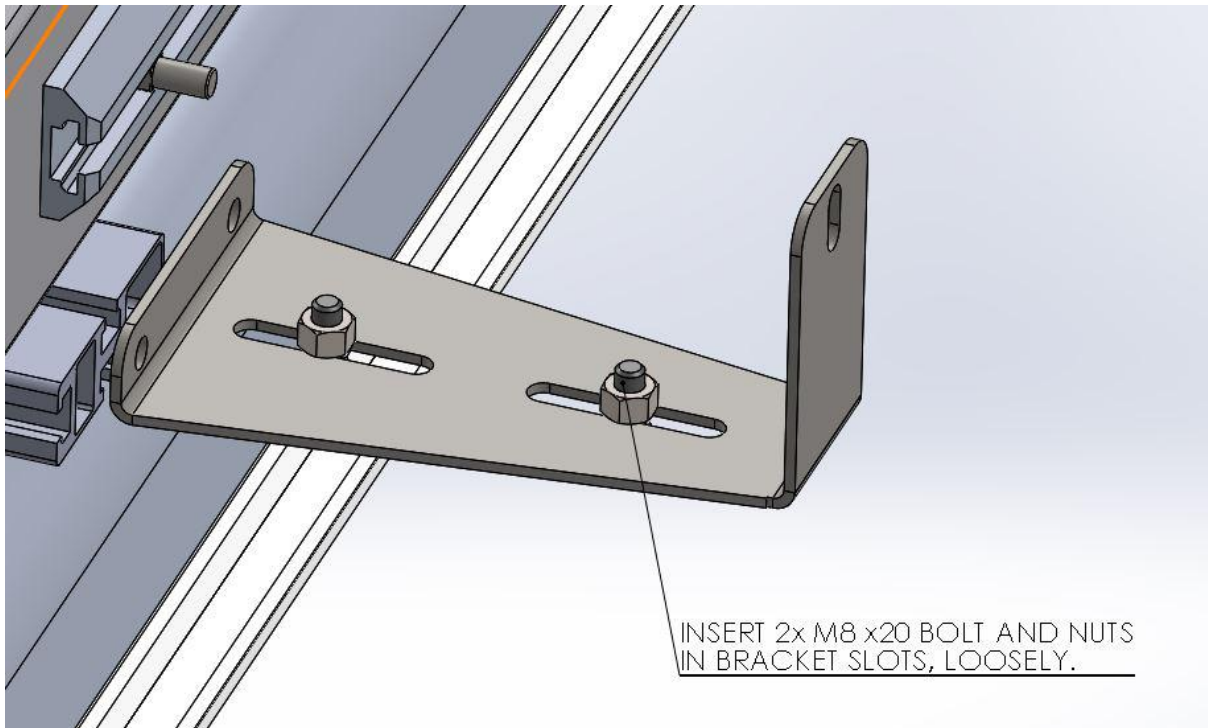
Always wear appropriate PPE (Personal protection equipment) when fitting this product. Although the mounting kit is designed to be DIY, if you have any doubts or concerns, contact an accredited fitment centre to carry out the work. Alu-Cab will not be liable for any injury to persons, and/or damage to products and/or vehicles.



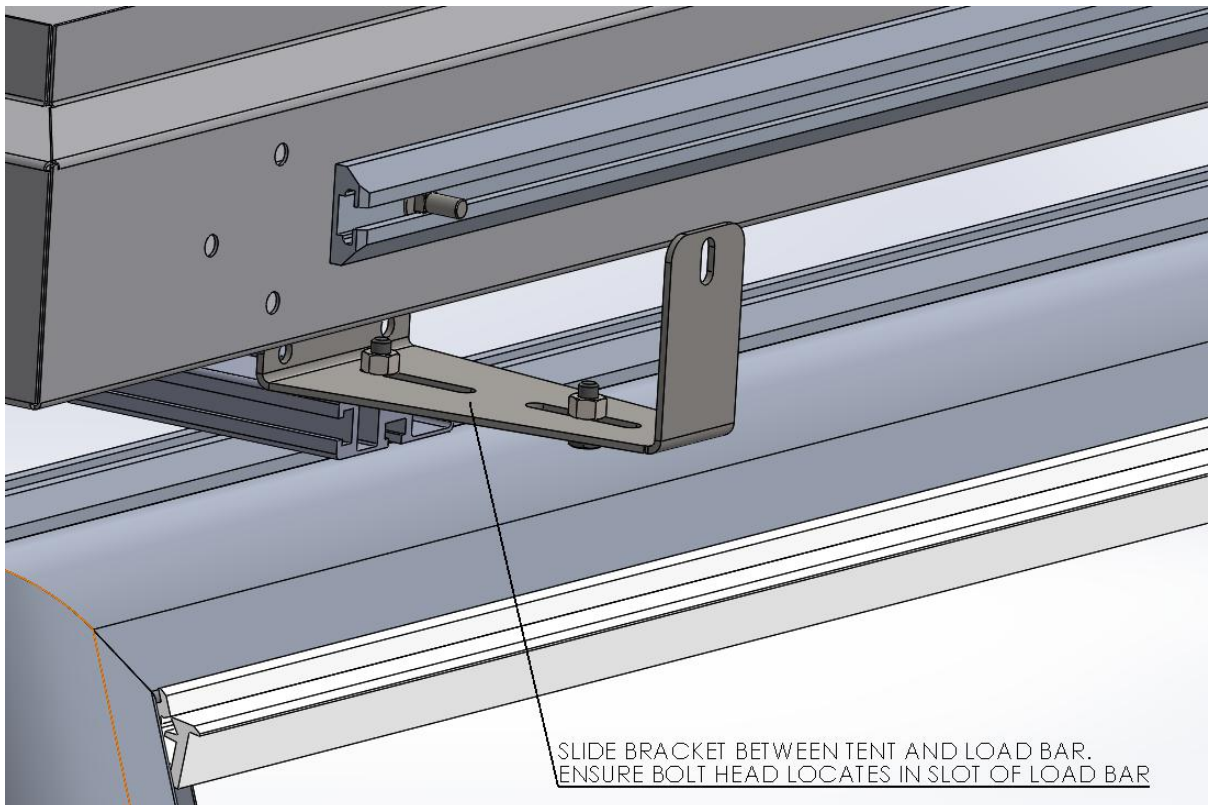
STEP 1:



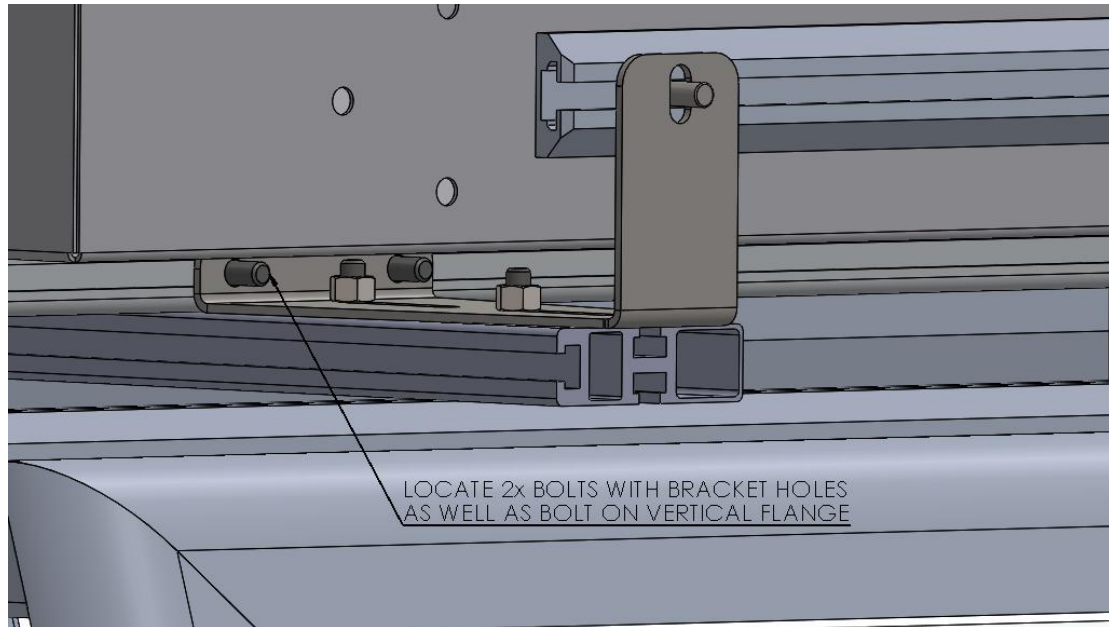
STEP 2:



STEP 3:



STEP 3:



TYPICAL ARRANGEMENT ON 4 ENDS OF LOAD BARS.