

FITMENT INSTRUCTIONS

Alu-CabTM



CANOPY CAMPER TO SUIT FORD RANGER SB & LB (USA SPEC)

All rights reserved. No part of this document may be reproduced, translated, stored in a retrieval system, or transmitted, in any form or by any means, electronic, mechanical, photocopying, recording or otherwise, without prior written permission of the owner.

Review all instructions information carefully before installation.

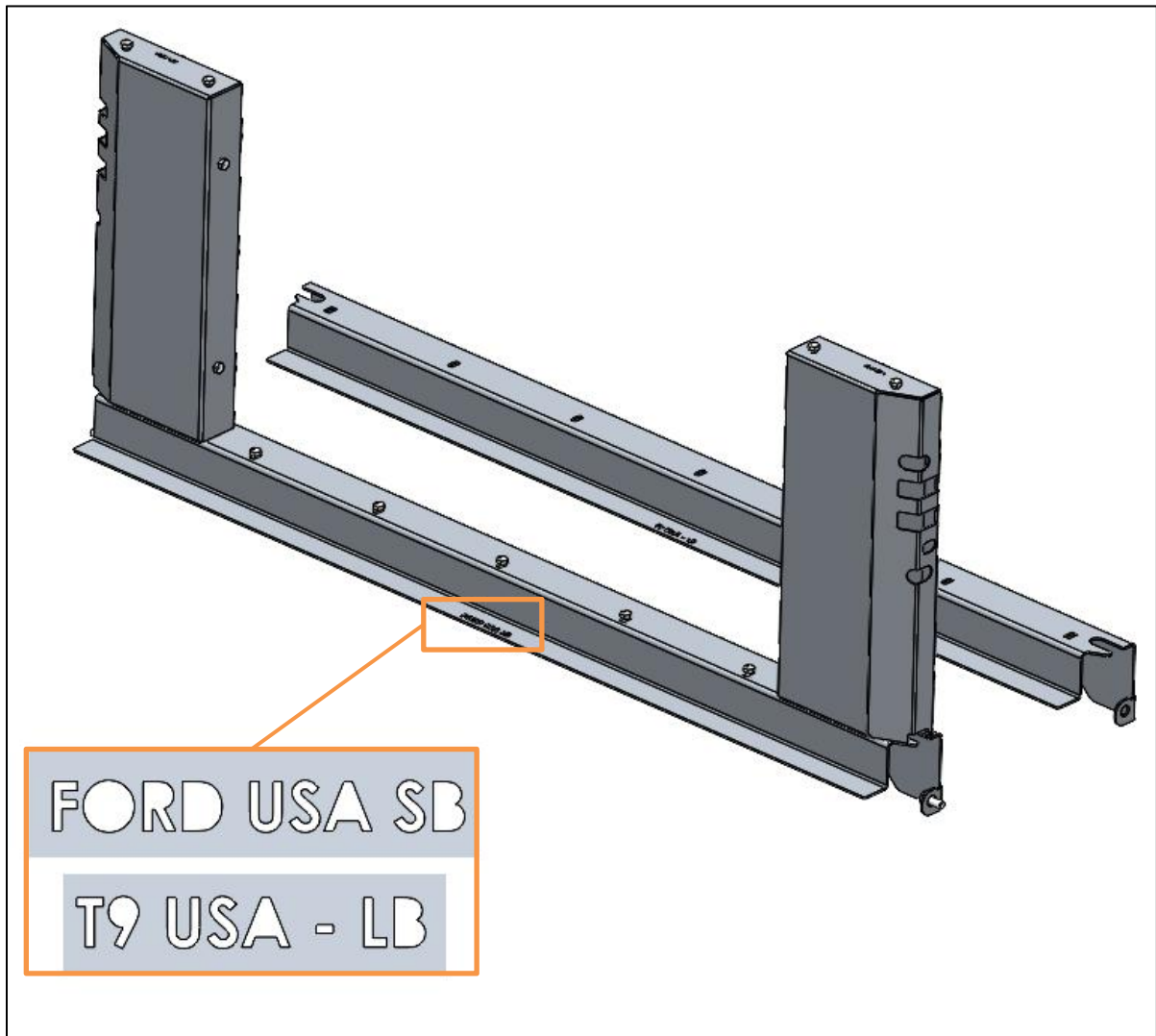
Any damages, direct or incidental to the installer and/or property due to incorrect installation of any parts are the responsibility of the installer. Due to the various applications and fitment options available, the responsibility lies with the user to ensure all mounting points are secure and tight before every trip. If unsure, consult with your Distributor regarding the operations of our products.

Users are advised to be mindful of the load they are carrying and drive in accordance with road conditions.

DISCLAIMER

Alu-Cab

Rear Filler Kit - Component Identification



The Rear Filler Assembly is supplied with two (2) different bottom support plates, clearly labeled SB and LB - Ensure that the correct plate is fitted to this assembly, for your specific installation, before progressing.

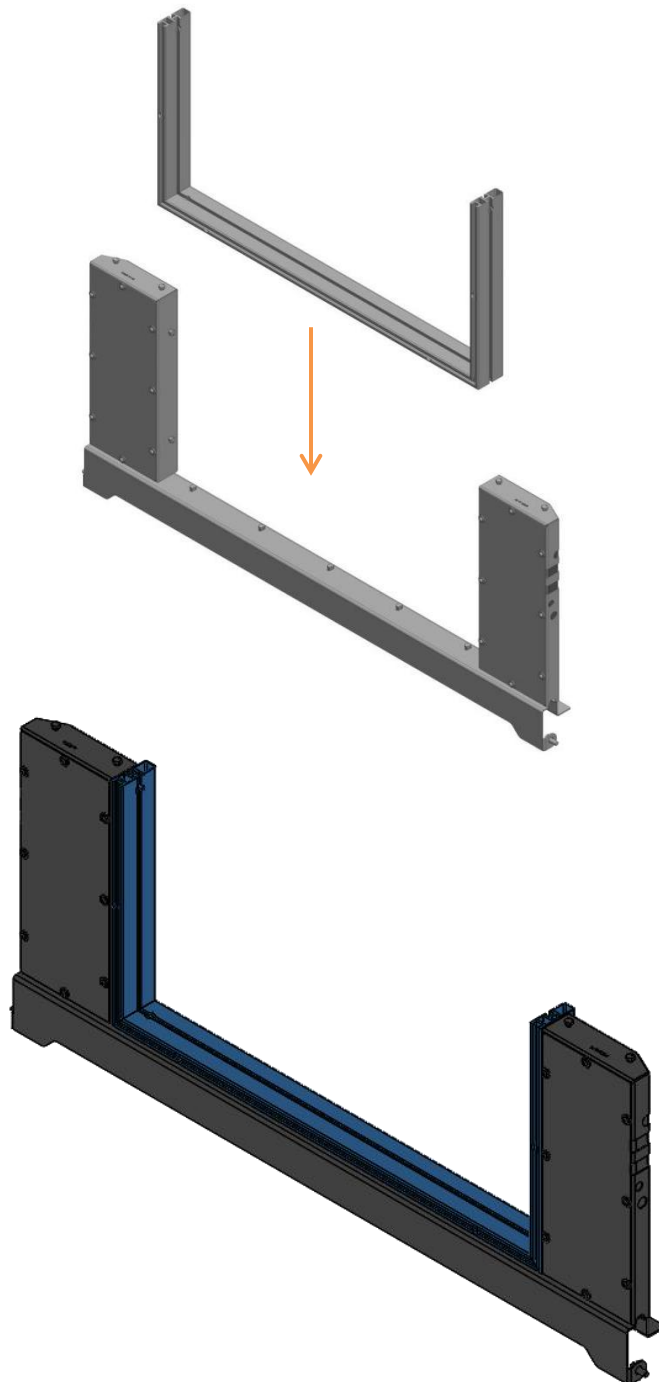


WARNING

Always wear appropriate PPE (Personal protection equipment) when fitting this product. Although the mounting kit is designed to be DIY, if you have any doubts or concerns, contact an accredited fitment centre to carry out the work. Alu-Cab will not be liable for any injury to persons, and/or damage to products and/or vehicles.

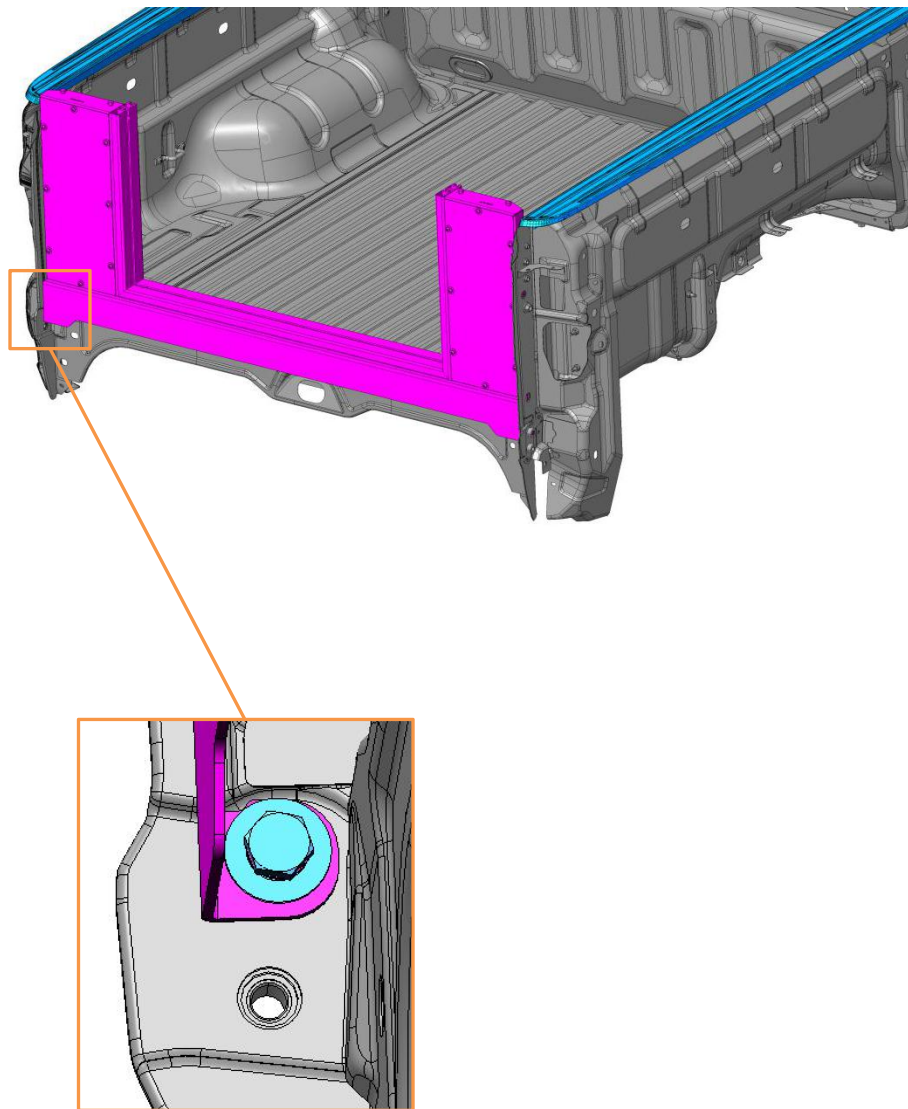
Rear Filler Kit - Assembly

Fit the lower door frame, supplied with the Canopy Camper base unit, into the Rear Filler assembly, and tighten the factory fitted fasteners, as below:



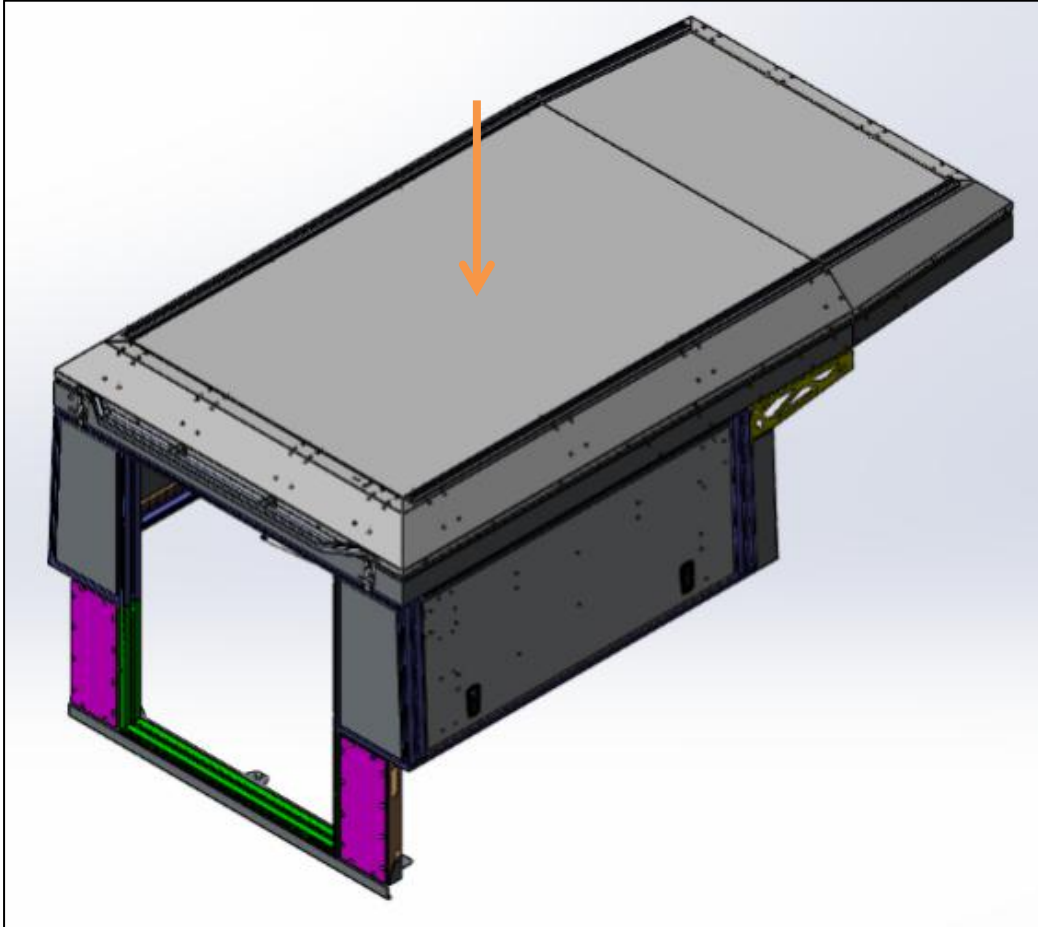
Rear Filler Kit - Installation

Remove the tailgate, and fit the Rear Filler Assembly (with the Lower Door Frame fitted):



Canopy Camper Base Unit - Installation & Assembly

Seating the Base Unit

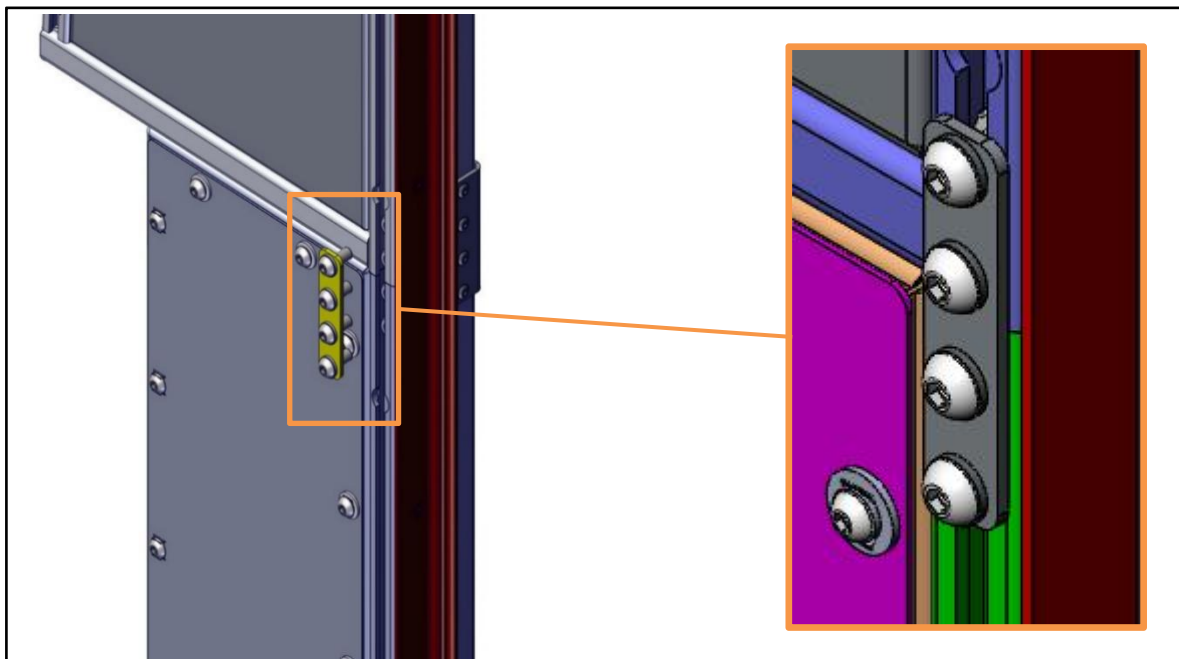


Attach the gasket material to the lower seating surface of the Canopy Camper's base frame - Refer to the stand alone Fitment Instruction for this process.

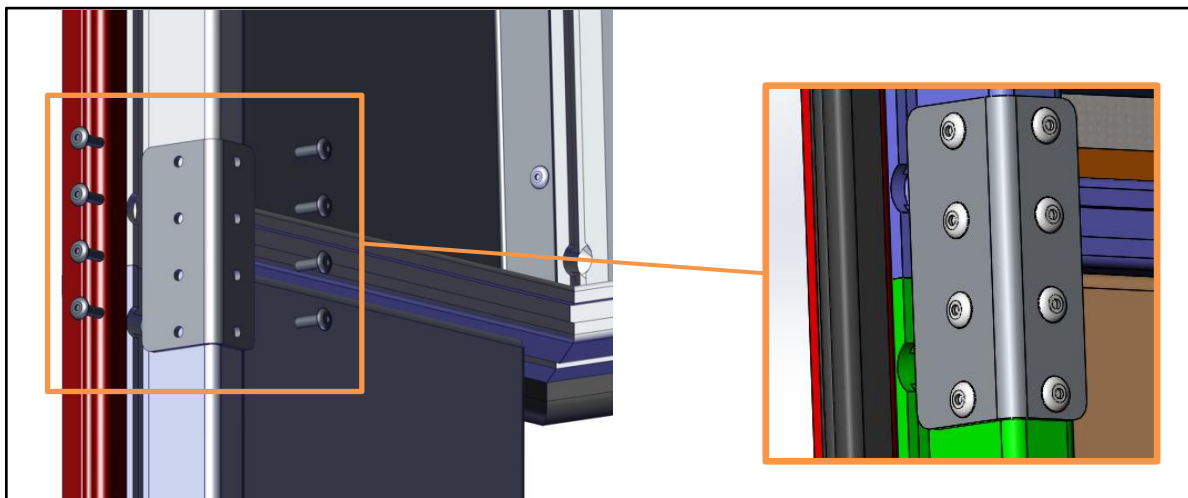
Lower the Canopy Camper Base Unit onto the already mounted Rear Filler Assembly, as shown in the image above, and align the lower and upper portions of the door frame.

Base Unit to Rear Filler Assembly Connection

Using the supplied hardware, fasten the lower and upper door frames together, on each side of the **EXTERNAL** door opening. See images below:

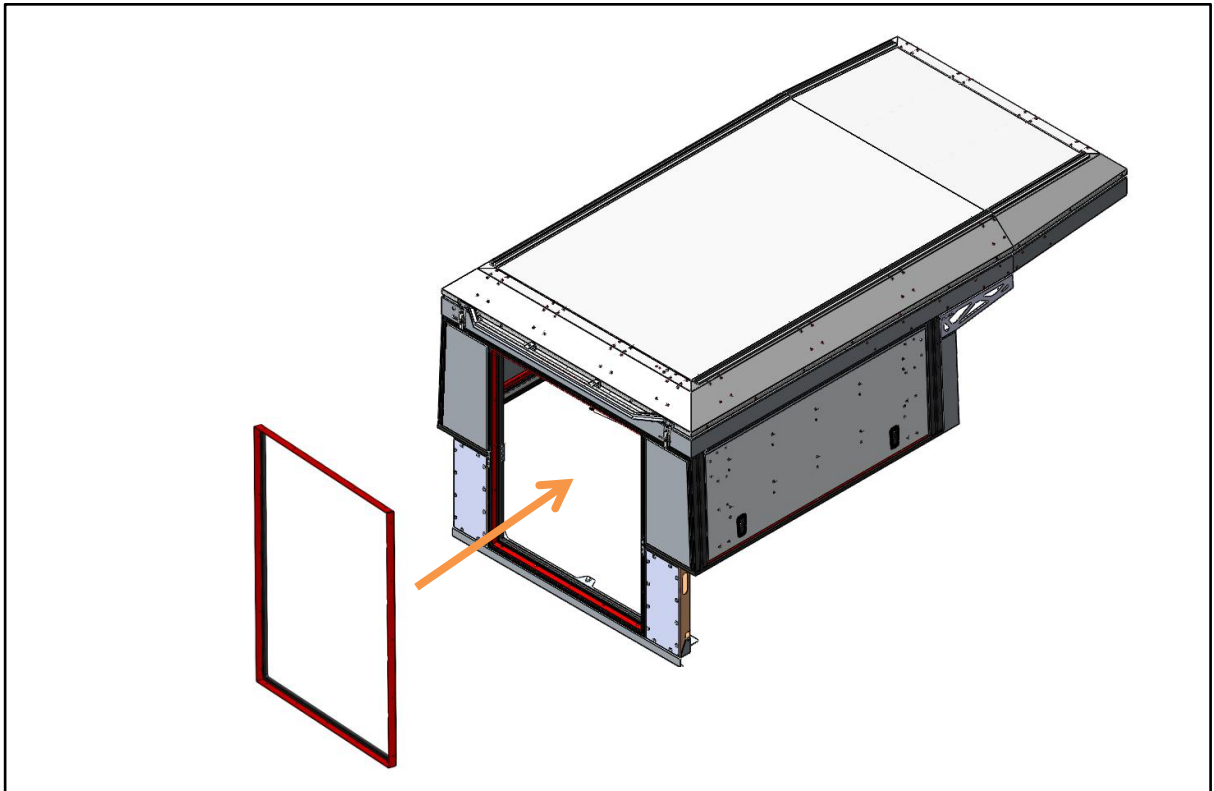


Using the supplied hardware, fasten the lower and upper door frames together, on each side of the **INTERNAL** door opening. See images below:



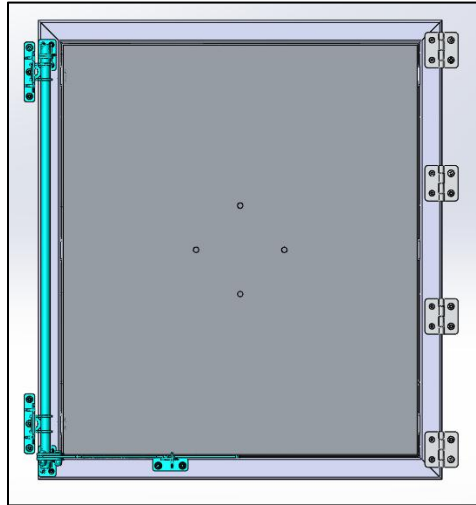
Rear Door Rebate Installation

Insert the Rear Door Rebate Frame into the door frame opening, ensure that mounting holes all align. Using the supplied hardware, rivet the frame in place along the LHS, RHS and upper and lower mounting interfaces. See images below:



Rear Door Installation

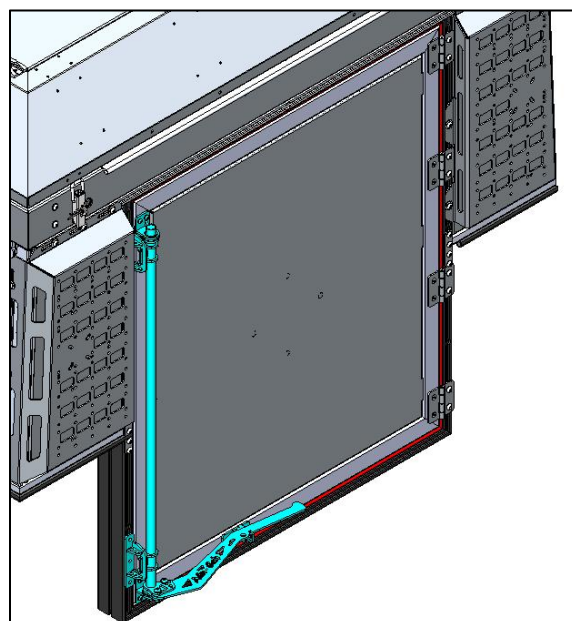
The Rear Door Assembly is supplied fully assembled with its hinges, and the locking mechanism, as shown below:



Insert the assembled door into the rear door opening. Fasten the four (4) hinges into the nut slot on the RHS door frame first, using the supplied hardware.

Align the two (2) locking mechanism Hook Brackets with the upper and lower lock tabs and fasten into the nut slot on the LHS frame, using the supplied hardware.

Installed Rear Door shown below (rear Filler Assembly removed for clarity):



Mounting Bracket Kit - Component Identification

ITEM NO.	PART NUMBER	DESCRIPTION	QTY
1	162-FORD-USA-CC-FNT-BRKT-LHS-01	FRONT BRACKET LHS	1
2	162-FORD-USA-CC-FNT-BRKT-RHS-01	FRONT BRACKET RHS	1
3	162-FORD-USA-CC-REAR-BRKT-LHS-01	REAR MOUNTING BRACKET LHS	1
4	162-FORD-USA-CC-REAR-BRKT-RHS-01	REAR MOUNTING BRACKET RHS	1
5	212-MNT-BRKT-01-01	MOUNTING BRACKET	2
6	GM16-000-002	BOTTOM MOUNT BRACKET	2
7	HEX-MBx60	M8x60 HEX BOLT SIS	2
8	NUT-M8	M8 HEX NUT SIS	2
9	HEX-MBx20	M8x20 HEX BOLT SIS	12
10	NY-M8	M8 NYLOC NUT SIS	14
11	FW-M8	M8 FLAT WASHER SIS	10
12	NCAP-M8	NUT CAP-08mm	24
13	FFW-M8	M8 FENDER WASHER SIS	16
14	HEX-MBx25	M8x25 HEX BOLT SIS	8
15	SW-M8	M8 SPRING WASHER SIS	8
16	162-FORD-USA-SP-BUSH	SPACER BUSH	4
17	HEX-MBx40	M8x40 HEX BOLT SIS	4

TOLERANCES TO ASSUME UNLESS INDICATED OTHERWISE

NO.	DIMENSION RANGE (mm)	TOLERANCE
0-50	0-3.00	±0.13
50-100	3.00-6.00	±0.25
100-150	6.00-9.00	±0.38
150-200	9.00-12.00	±0.51
200-300	12.00-18.00	±0.76
300-500	18.00-25.00	±1.02
500-1000	25.00-75.00	±1.52
1000-1500	75.00-100.00	±2.03

DESCRIPTION: FORD RANGER (USA) - MOUNTING BRACKET KIT

PROJECT: CANOPY CAMPER

SCALE: 1:1

DATE:

REV. DESCRIPTION ECO DATE APPROVED

REVISIONS

REV. DESCRIPTION ECO DATE APPROVED

162-FORD-USA-MOUNTING BRACKETS

00

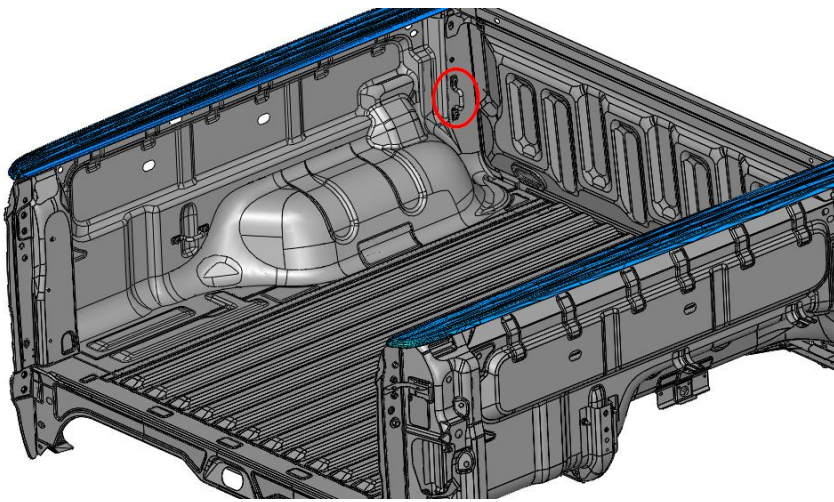
Alu-Cab

ALUMINUM CABINETS

Mounting Bracket Kit - Installation

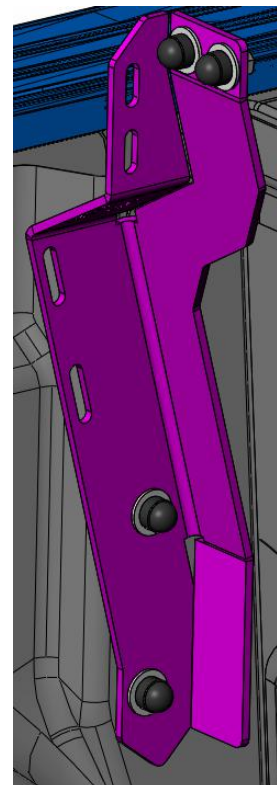
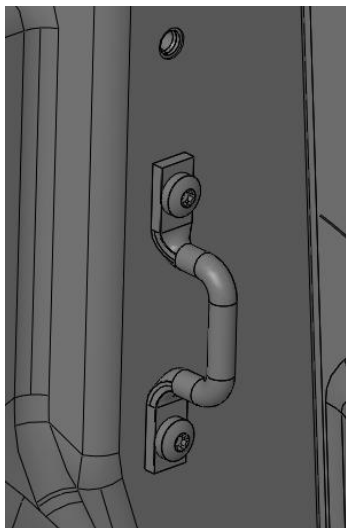
Front Mounting Brackets

Remove the tie-down hooks at the front of the load bin (both LH and RH side), and fit the Front Mounting Brackets:



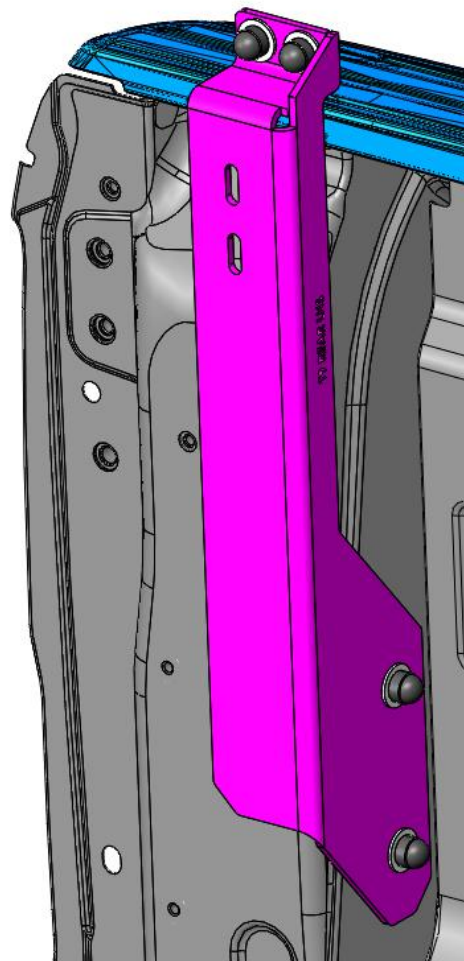
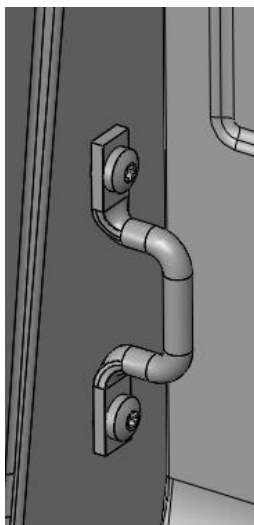
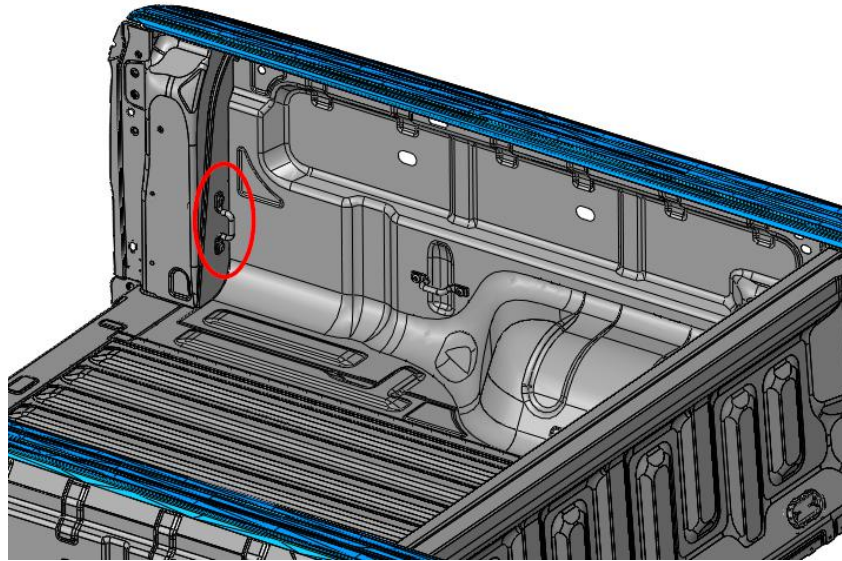
* USE SHORT BOLT FOR SHORT BED INSTALLATION (M8X20)

** USE BUSH & LONGER BOLT FOR LONG BED INSTALLATION (M8X40)



Rear Mounting Brackets

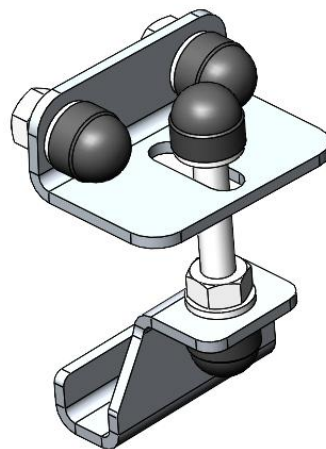
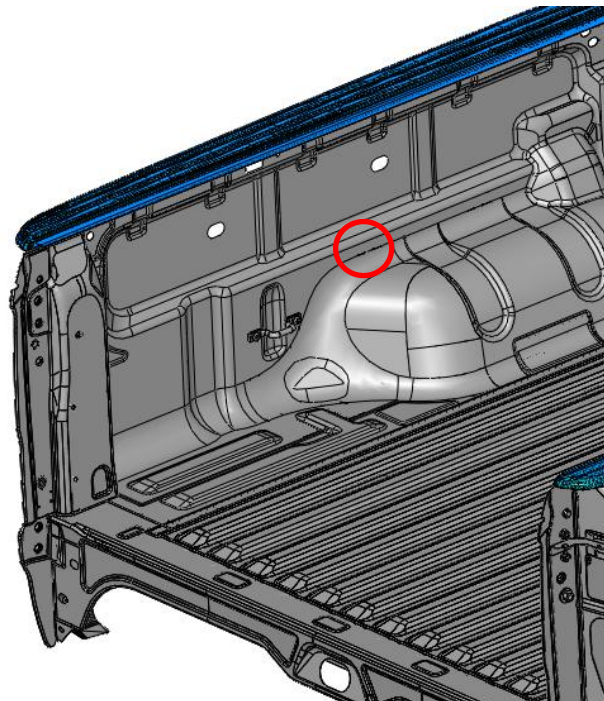
Remove the tie-down hooks at the rear of the load bin (both LH and RH side), and fit the Rear Mounting Brackets:



Centre Mounting Brackets

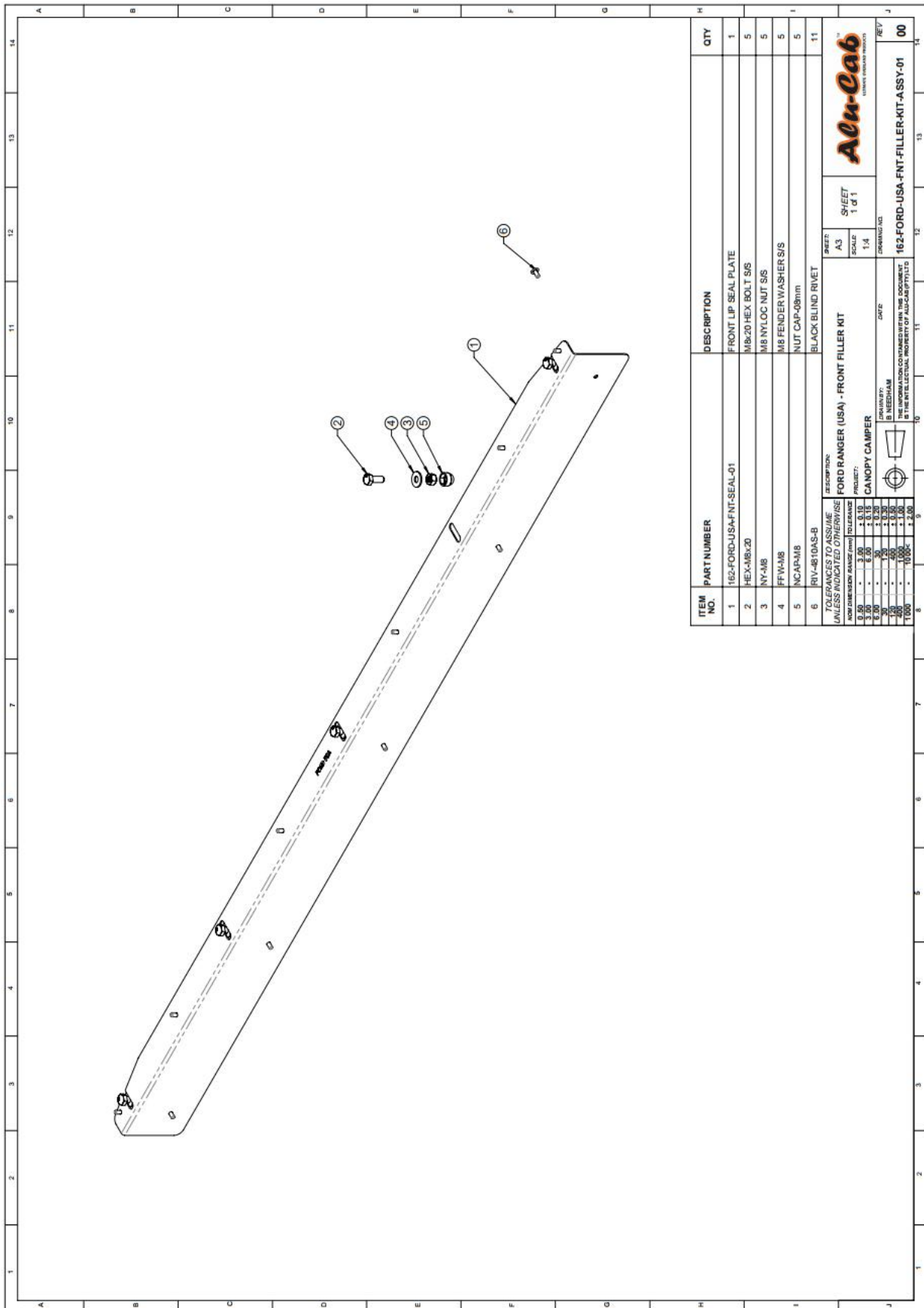
The centre mounting brackets will only be used on the Long Bed installation, if needed. The main purpose of these brackets is to correct seating along the longer load bin length on the Long Bed installation.

If the Canopy Camper seats and seals correctly, they can be left off. If the camper needs to be pulled downwards towards the load bin wall, these brackets can be installed at centre span between the front and rear mounting brackets, on either side:



NB! The Canopy Camper must rest solely on the mounting brackets and no load is allowed on the load bin. Once this is completed, the Canopy Camper has been installed successfully.

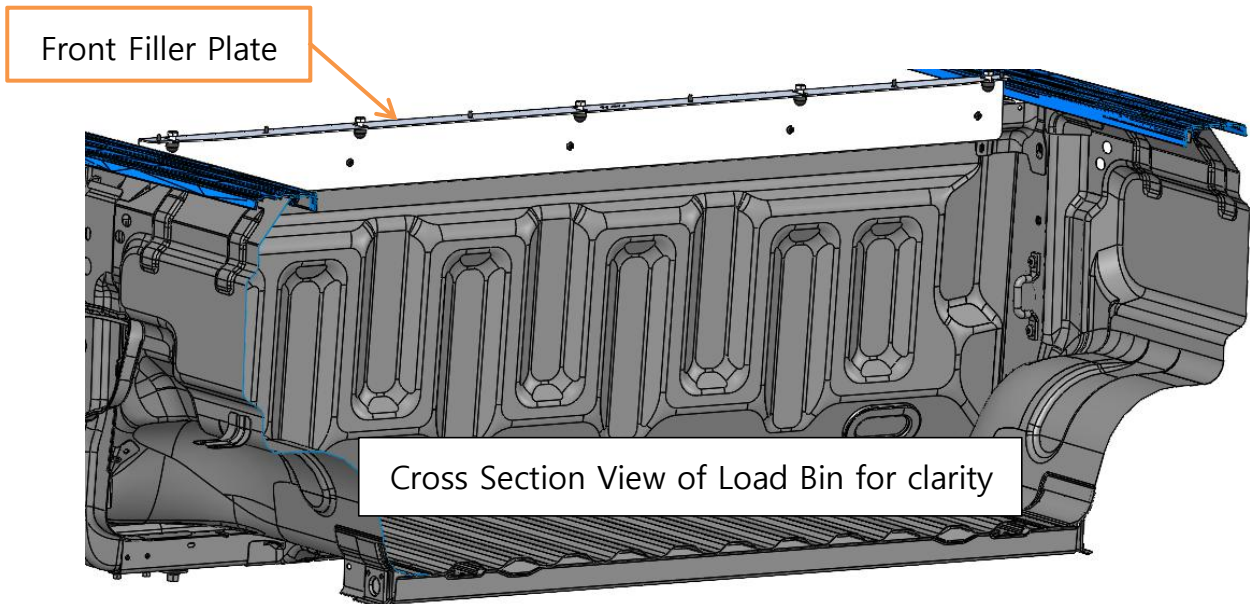
Front Filler Kit - Component Identification



ITEM NO.	PART NUMBER	DESCRIPTION	QTY
1	162-FORD-USA-FNT-SEAL-01	FRONT LIP SEAL PLATE	1
2	HEX-M8X20	M8X20 HEX. BOLT SIS	5
3	NY-M8	M8 NYLOC NUT SIS	5
4	FFM-M8	M8 FENDER WASHERS/S	5
5	NCAP-M8	NUT CAP-Ø8mm	5
6	RIV-4810A-S-B	BLACK BLIND RIVET	11

TOLERANCES TO ASSUME UNLESS INDICATED OTHERWISE		SHEET A3	
FORD RANGER (USA) - FRONT FILLER KIT	SCALE 1:1	SHEET 1 OF 1	
FORD RANGER (USA) - FRONT FILLER KIT CANOPY CAMPER	SCALE 1:4	DRAWING NO. 162-FORD-USA-FNT-FILLER-KIT-ASSY-01	
DIMENSIONS IN MILLIMETERS	DATE	REV 00	
THE INFORMATION CONTAINED WITHIN THIS DOCUMENT IS THE INTELLECTUAL PROPERTY OF ALU-CAB LTD	ALU-CAB (INDUSTRIAL PROPERTY)		

Front Filler Kit - Installation



The long lip of the Front Filler Plate mounts up against the front wall of the load bin. A generous amount of sealant should be applied in an unbroken line, encircling the holes, on the interface surface. The plate will be drilled and riveted to the load bin, in position.

The shorter 90 degree lip will be fastened to the Canopy Camper base unit frame. The Short Bed and Long Bed installations are slightly different.

Short Bed Installation:

Use the supplied M8 fasteners to mount the plate to the base unit frame. Ensure an unbroken line of sealant is applied to the interface surface.

Long Bed Installation:

Use the six (6) small holes in the plate as a drilling template. Drill into the base unit frame of the Canopy Camper. Ensure an unbroken line of sealant is applied to the interface surface, before riveting the plate in position.