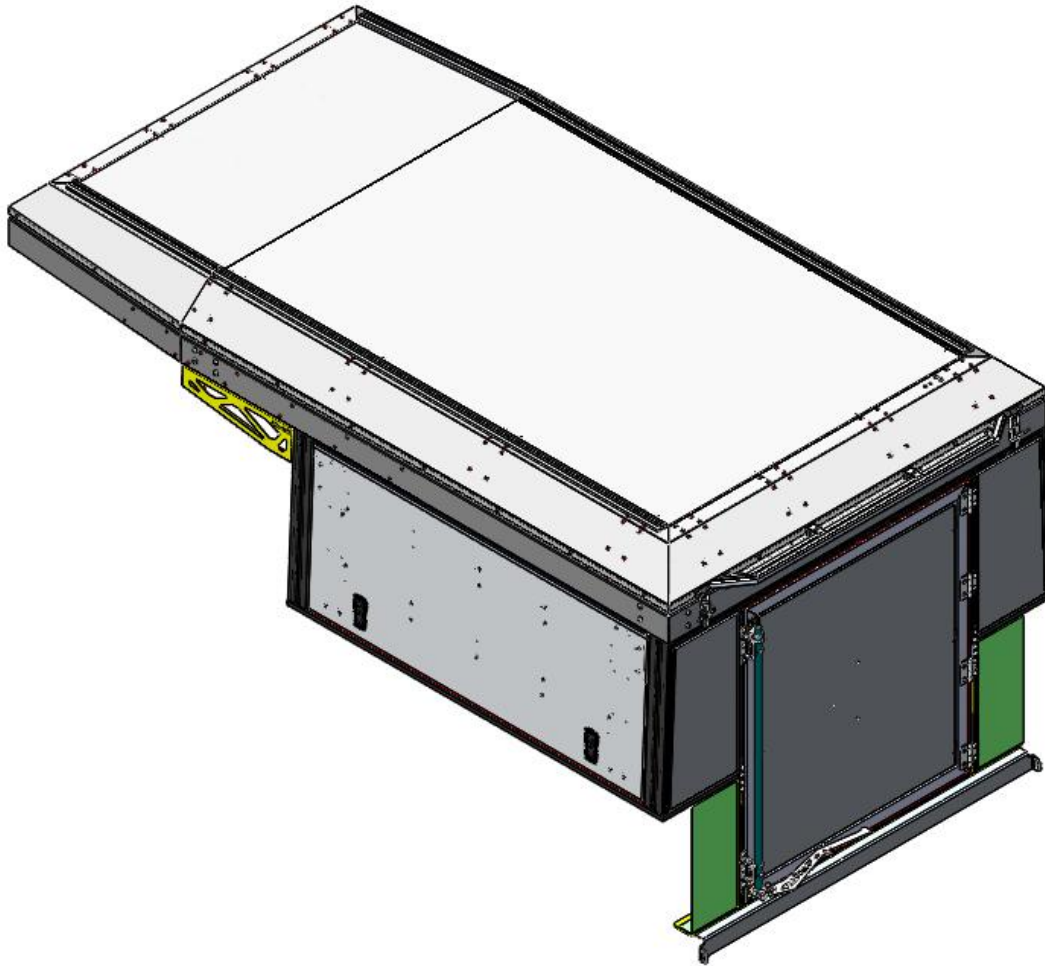


FITMENT INSTRUCTIONS

Alu-Cab™



CANOPY CAMPER TO SUIT ISUZU

All rights reserved. No part of this document may be reproduced, translated, stored in a retrieval system, or transmitted, in any form or by any means, electronic, mechanical, photocopying, recording or otherwise, without prior written permission of the owner.

Review all instructions information carefully before installation.

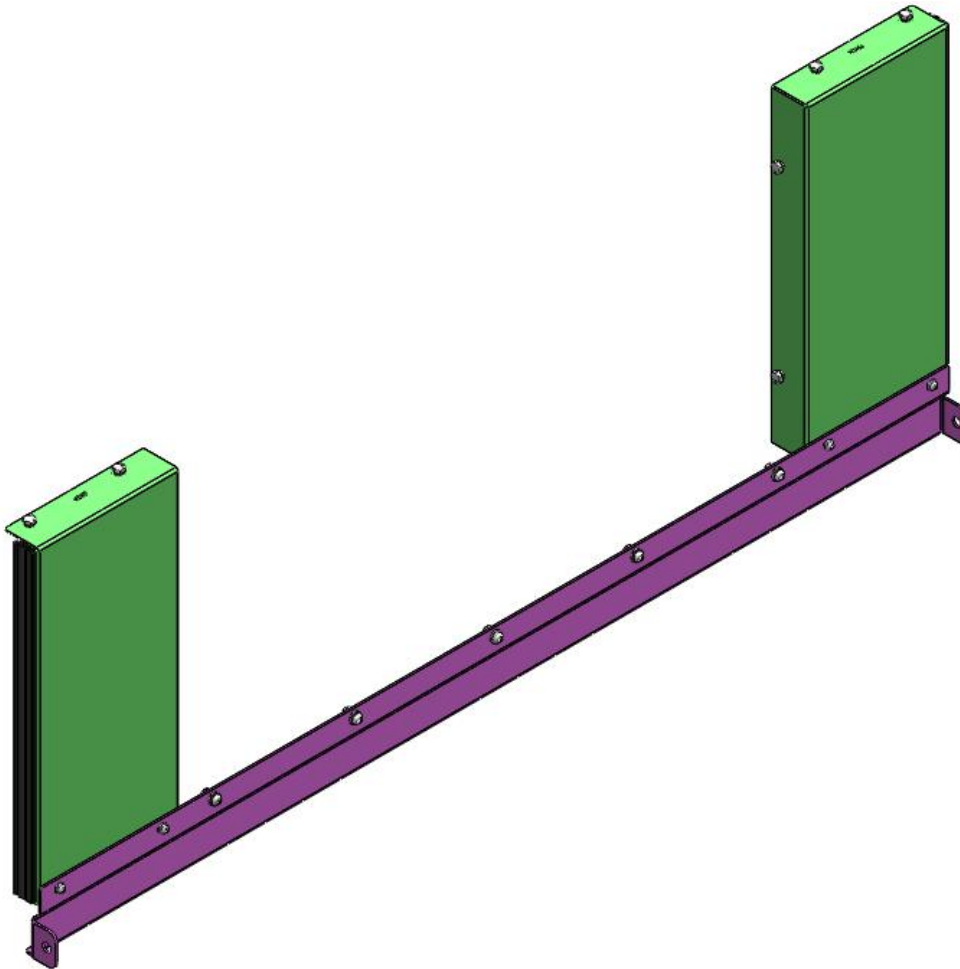
Any damages, direct or incidental to the installer and/or property due to incorrect installation of any parts are the responsibility of the installer. Due to the various applications and fitment options available, the responsibility lies with the user to ensure all mounting points are secure and tight before every trip. If unsure, consult with your Distributor regarding the operations of our products.

Users are advised to be mindful of the load they are carrying and drive in accordance with road conditions.

DISCLAIMER

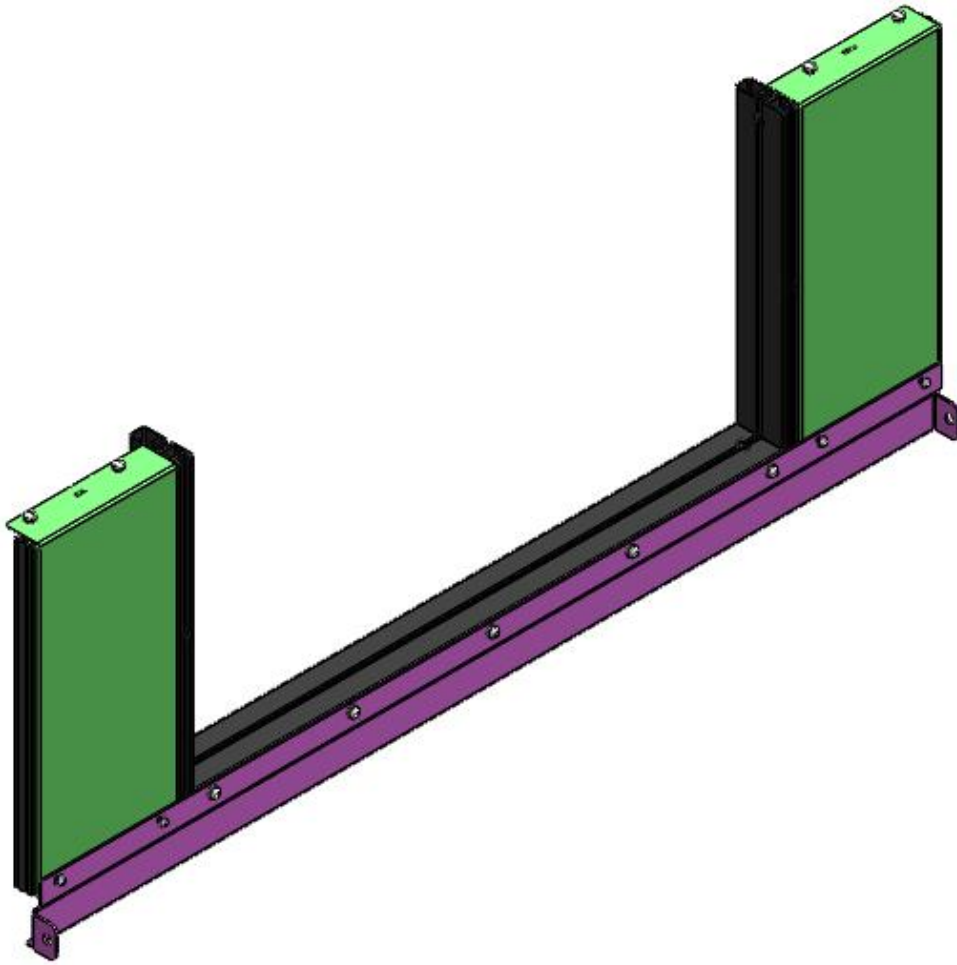
Alu-Cab

1.Rear filler panel assembly.

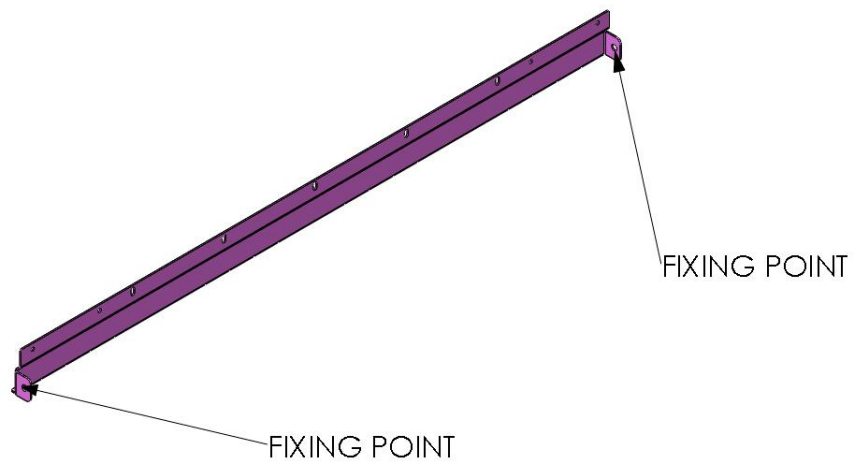


ITEM NO.	PART NUMBER	DESCRIPTION	MATERIAL	QTY.
1	162-ISUZU-RER-BOT-COV-PLT-01-00	REAR BOTTOM COVER PLATE	1060 Alloy (3mm)	1
2	162-ISUZU-INNER-BOX-LH-01-00	INNER BOX LH	1060 Alloy Tread Plate (1.6mm)	1
3	162-ISUZU-INNER-BOX-RH-01-00	FILLER BOX RH	1060 Alloy Tread Plate (1.6mm)	1
4	Rubber Seal	Pinchweld Rubber Seal	Rubber	2
5	M6 Cage Nut	M6 Cage Nut	Zinc Plated Steel	4
6	M6x16mm Button Head Socket Screw	Button Head Socket Screw	AISI 316	4
7	483-080	SPRING WASHER - M8	AISI 304	5
8	M6 Flat Washer	Flat Washer	AISI 316	4
9	483-060	SPRING WASHER - M6	AISI 316	4
10	DIN 125 M8 Flat Washer	Flat Washer	AISI 316	13
11	M8x16mm Button Head Socket Screw	Button Head Socket Screw	AISI 316	5
12	M8 Hex Head Nut	Hex Head Nut	AISI 316	5
13	DIN 933 M8x20 Hex Head Bolt	Hex Head Bolt	AISI 316	8
14	M8 Nut Cap	Plastic Nut Cap	PE Low/Medium Density	8
15	DIN 985 M8 Nyloc Nut	Nyloc Nut	AISI 316	8

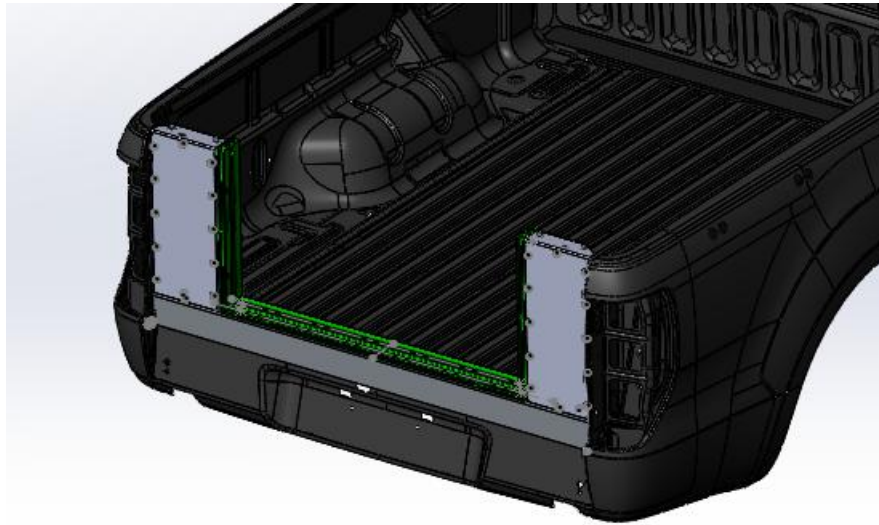
2. Fit lower door frame to filler panel assembly as shown.



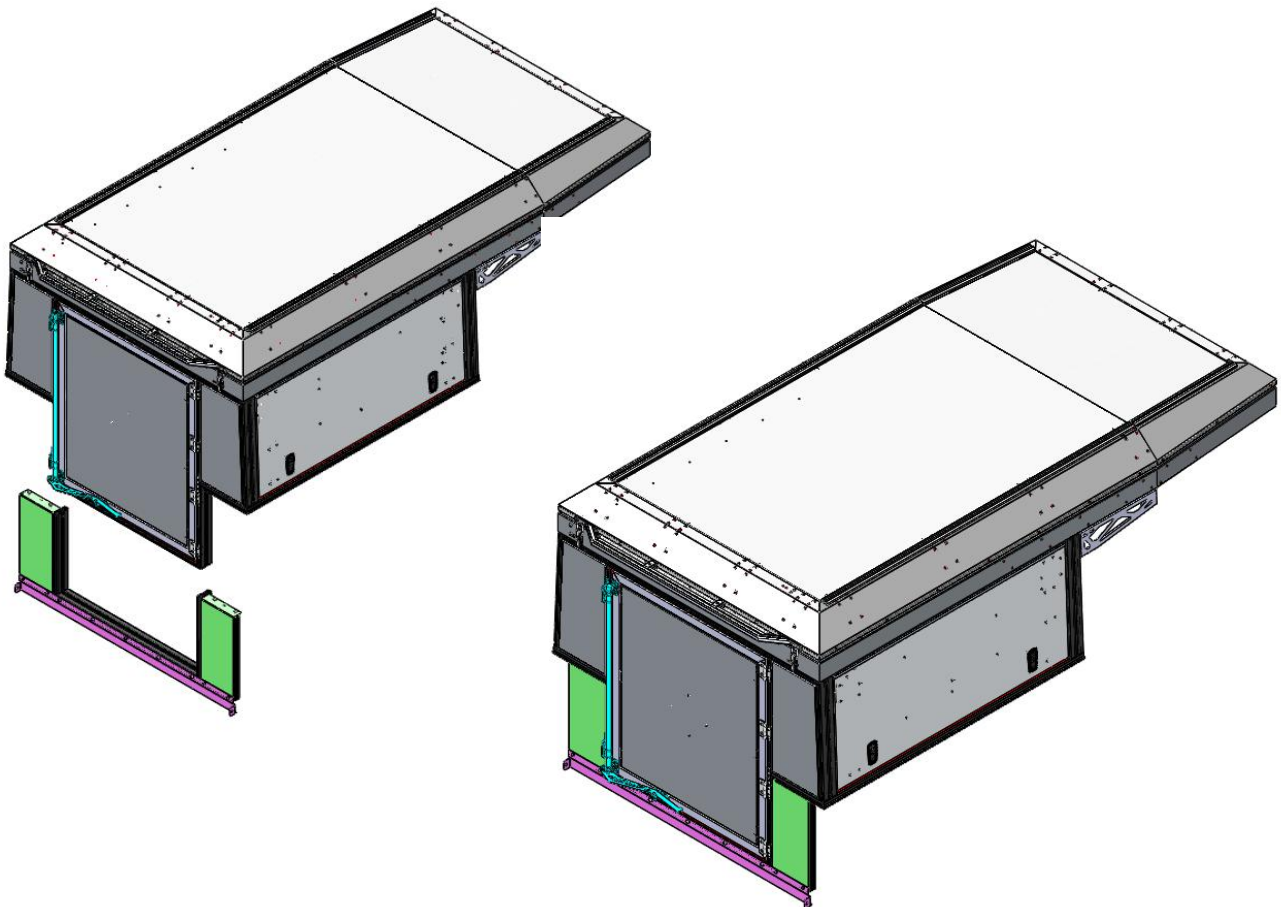
3. Rear bottom support bracket.



3. Mount filler panel assembly to load bin as shown.



4. Then mount canopy camper base unit on top of load bin.

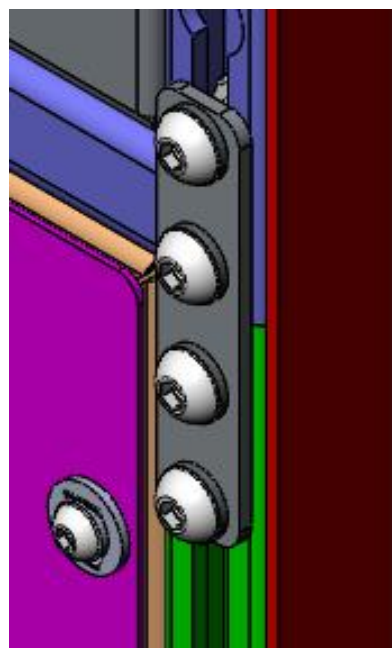
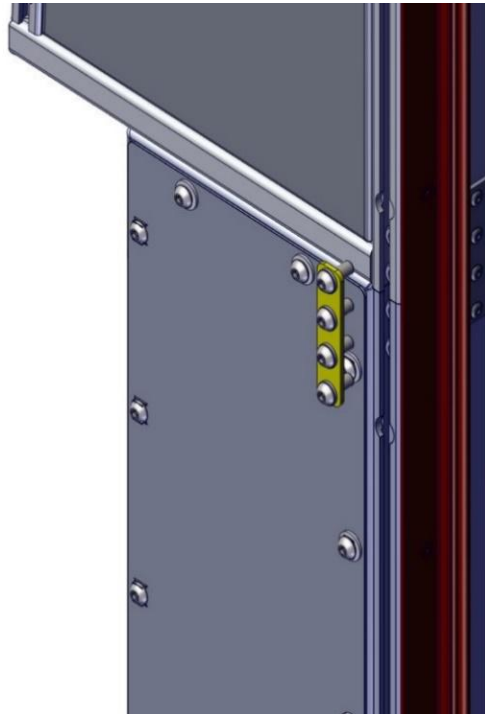


WARNING

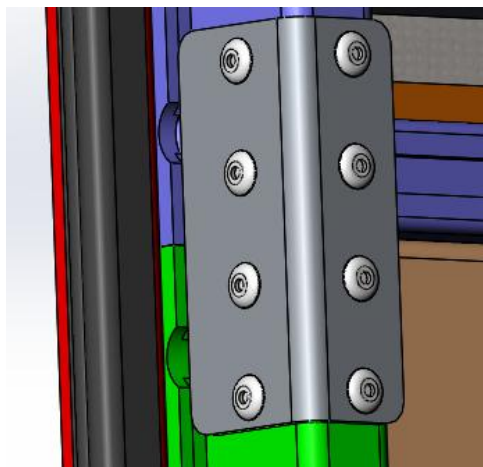
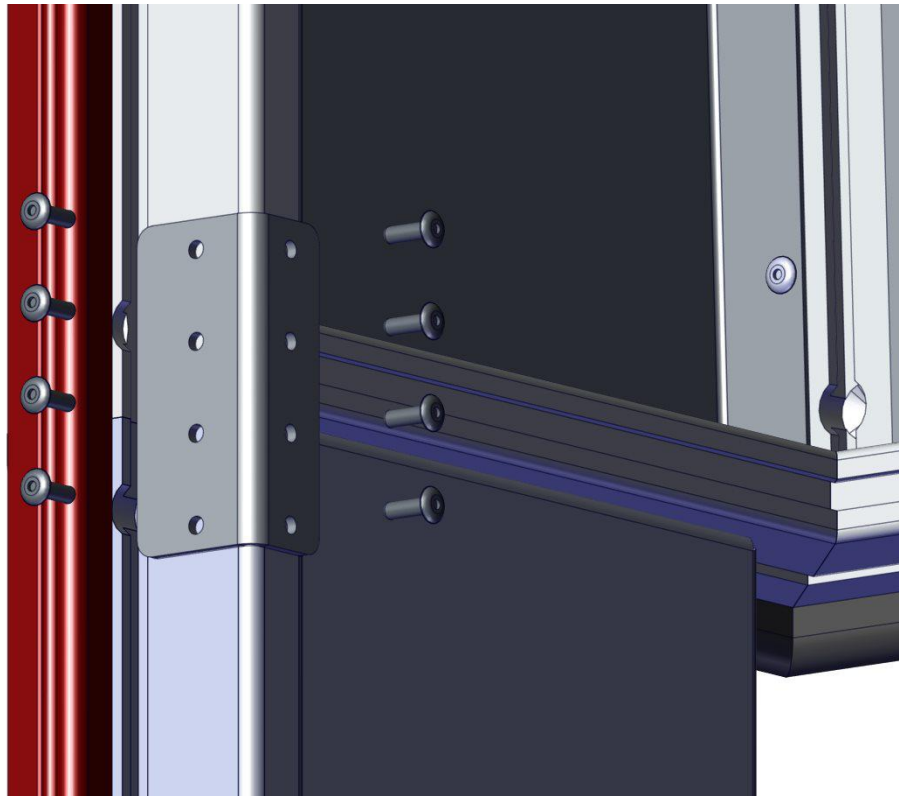
Always wear appropriate PPE (Personal protection equipment) when fitting this product. Although the mounting kit is designed to be DIY, if you have any doubts or concerns, contact an accredited fitment centre to carry out the work. Alu-Cab will not be liable for any injury to persons, and/or damage to products and/or vehicles.

5.1. Connect rear filler panel assembly and base unit as shown.

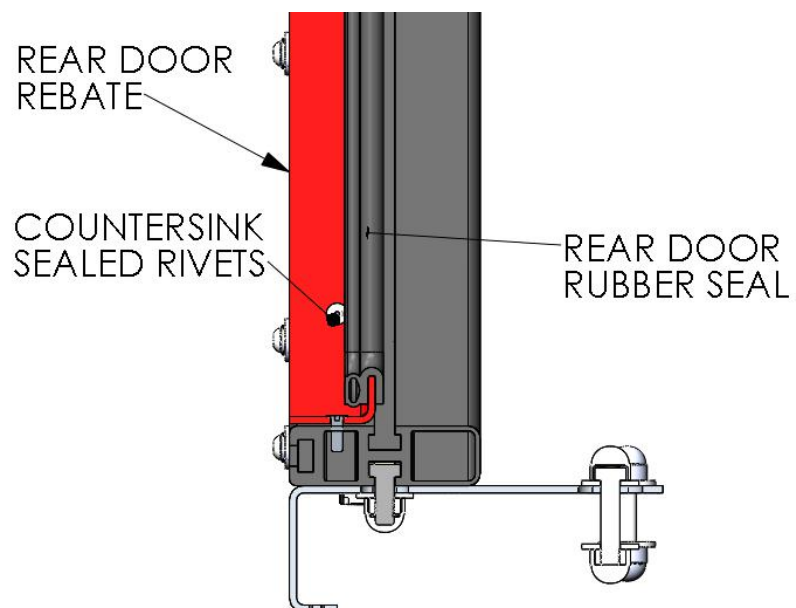
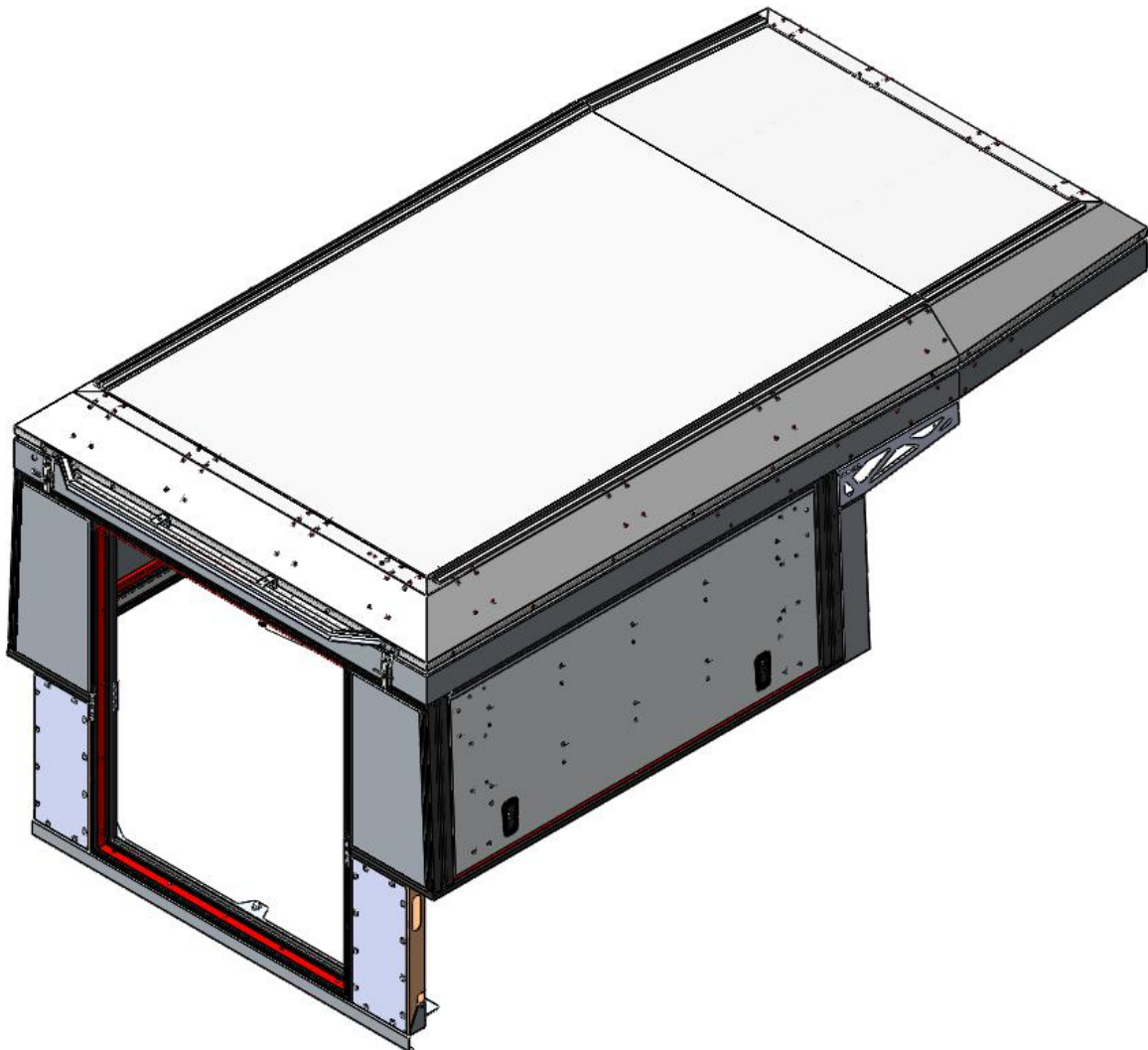
OUTER MOUNTING ON BOTH JOINTS



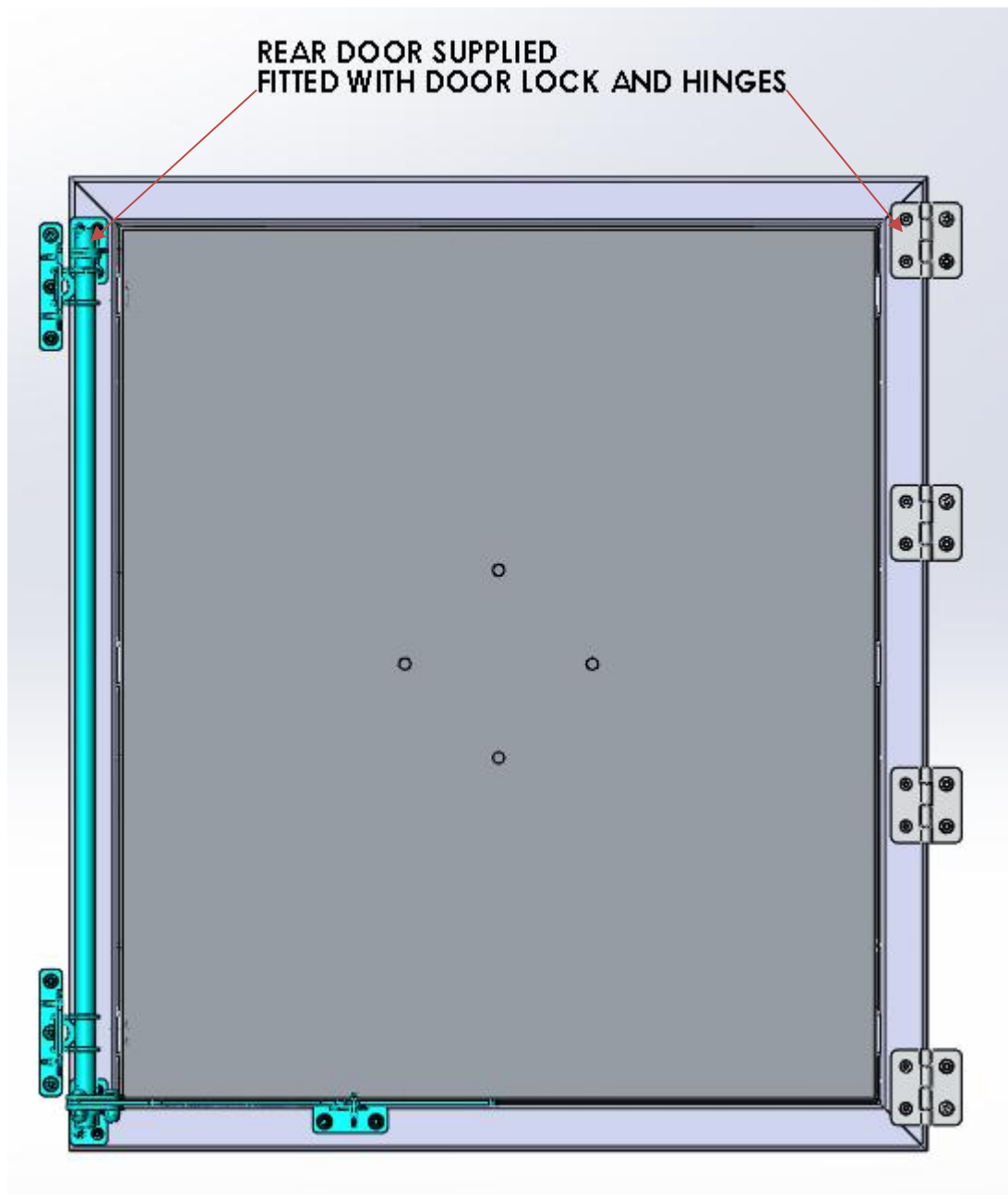
5.2. INNER MOUNTING ON BOTH JOINTS



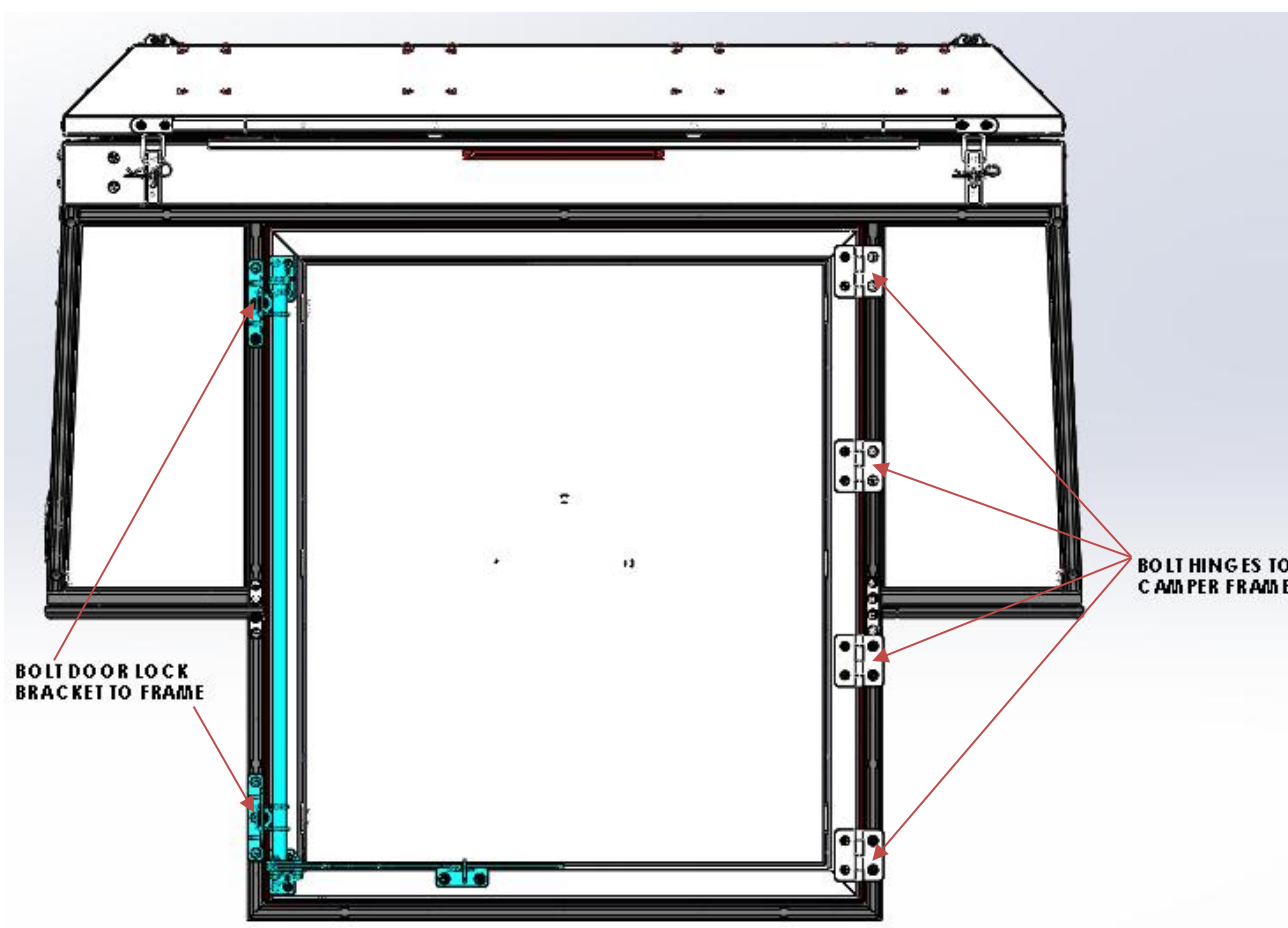
6. Fit rear door rebate with $\text{Ø}4.8 \times 15$ sealed countersink rivets as shown.



7. Fit rear door by mounting 4 x Butt hinges to camper frame as shown. Centre rear door, top to bottom and the hinge centres left to right. Also mount the door lock to the camper frame.



8. Attach hinges and lock to camper frame.



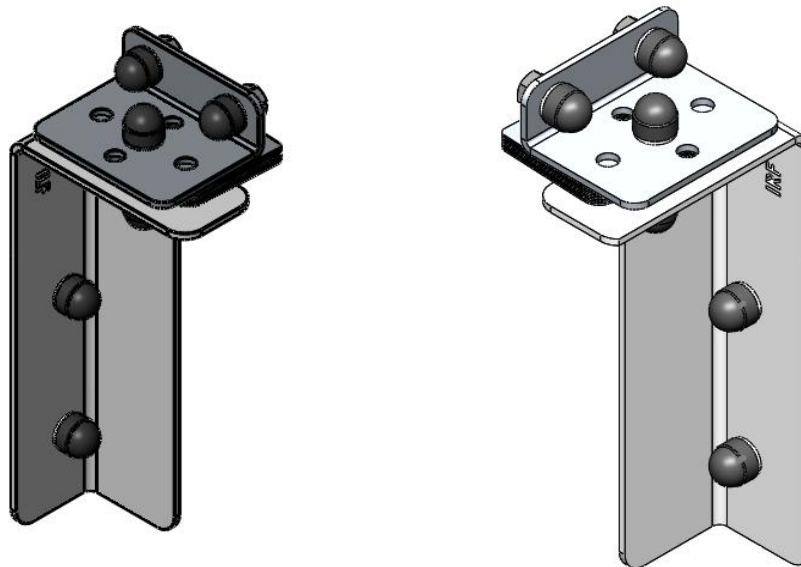
1. Canopy Fitment – Tools, Fasteners & Materials

The tables below show the equipment, i.e. tools and fasteners required to start the canopy fitment.

1.1. Tools Required:

<u>TOOL</u>
• Ratchet
• T-40 Spline Socket
• 13mm Socket
• 13mm Ring Flat Spanner

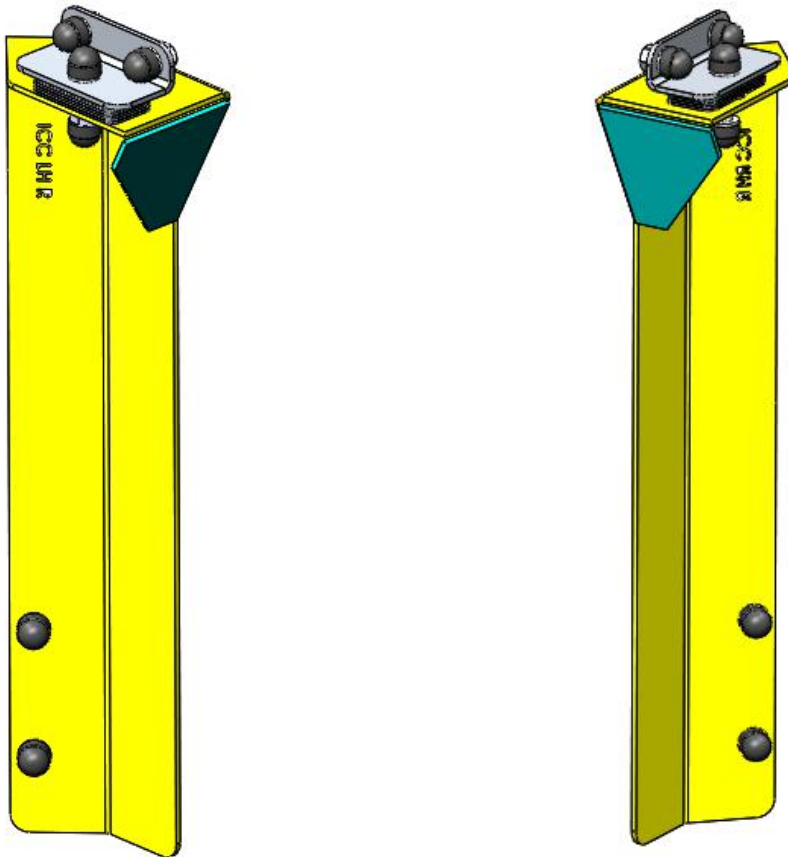
2. Front mounting brackets LH & RH Assemblies. See BOM below for each assembly.



ITEM NO.	PART NUMBER	DESCRIPTION	MATERIAL	QTY.
1	252-ISUZU-FNT-MNT-BRKT-LH Rev A	FRONT MOUNTING BRACKET LH	Mild Steel (3mm)	1
2	Universal Canopy Mount Bracket REV A	Universal Canopy Mount Bracket	AISI 304 (3mm)	1
3	Shim	SHIM	ALU	8
4	M8x20 Hex Head Bolt	Hex Head Bolt	AISI 316	4
5	M8 Flat Washer	Flat Washer	AISI 316	6
6	M8 Nyloc Nut	Nyloc Nut	AISI 316	3
7	M8 Nut Cap	Plastic Nut Cap	PE Low/Medium Density	6
8	M8x40 Hex Head Bolt	Hex Head Bolt	AISI 316	1
9	DIN 125B M8 Spring Washer - Compressed	M8 Spring Washer	AISI 316	2

ITEM NO.	PART NUMBER	DESCRIPTION	MATERIAL	QTY.
1	252-ISUZU-FNT-MNT-BRKT-RH Rev A	FRONT MOUNTING BRACKET RH	Mild Steel (3mm)	1
2	Universal Canopy Mount Bracket REV A	Universal Canopy Mount Bracket	AISI 304 (3mm)	1
3	Shim	SHIM	ALU	8
4	M8x20 Hex Head Bolt	Hex Head Bolt	AISI 316	4
5	M8 Flat Washer	Flat Washer	AISI 316	6
6	M8 Nyloc Nut	Nyloc Nut	AISI 316	3
7	M8 Nut Cap	Plastic Nut Cap	PE Low/Medium Density	6
8	M8x40 Hex Head Bolt	Hex Head Bolt	AISI 316	1
9	DIN 125B M8 Spring Washer - Compressed	M8 Spring Washer	AISI 316	2

3. Rear mounting brackets LH & RH Assemblies. See BOM below for each assembly.



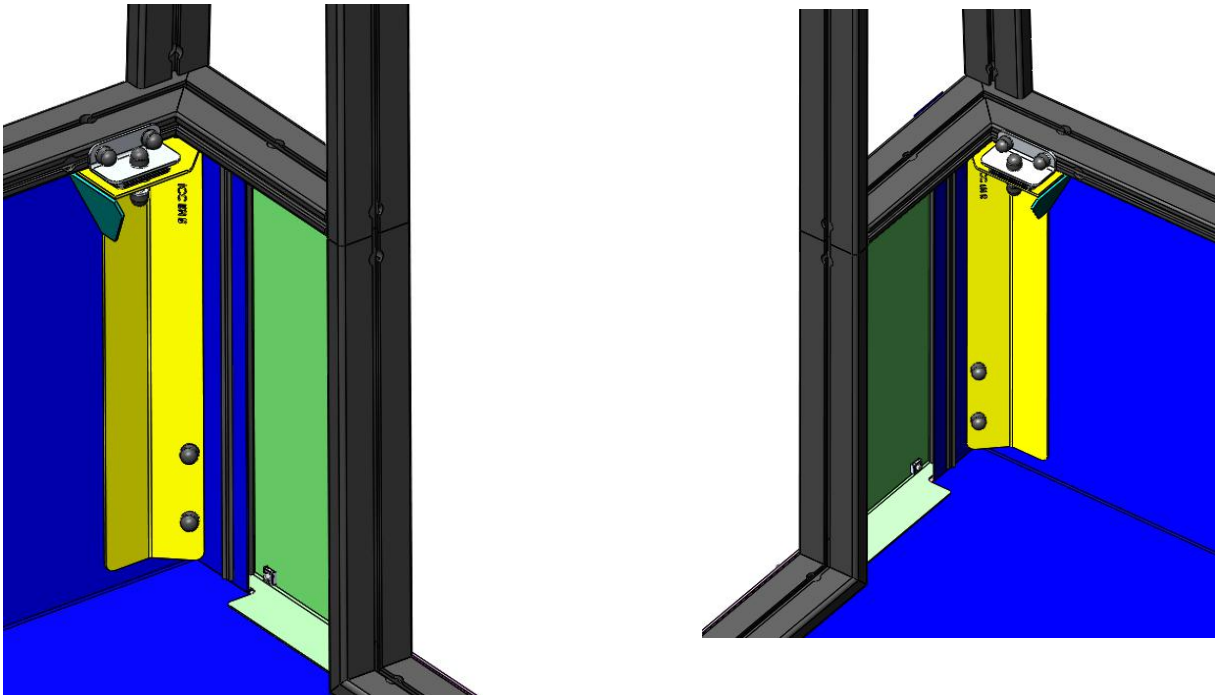
ITEM NO.	PART NUMBER	DESCRIPTION	MATERIAL	QTY.
1	162-ISUZU-RER-LH-MNT-BRKT-01-00	REAR LH MOUNTING BRACKET	Mild Steel (3mm)	1
2	LBM-000-001 Rev A	LOAD BAR MNT BRKT	SS 304	1
3	162-ISUZU-RER-MNT-GUSS-01-00	REAR MOUNT GUSSET	Mild Steel (3mm)	1
4	DIN 125A M8 Flat Washer	Flat Washer	AISI 316	6
5	DIN 933 M8x20 Hex Head Bolt	Hex Head Bolt	AISI 316	4
6	DIN 125B M8 Spring Washer - Compressed	M8 Spring Washer	AISI 316	2
7	TLC Shim	TLC SHIM	1060 Alloy (1.6mm)	7
8	M8 Nut Cap	Plastic Nut Cap	PE Low/Medium Density	6
9	DIN 985 M8 Nyloc Nut	Nyloc Nut	AISI 316	3
10	M8x40 Hex Head Bolt	Hex Head Bolt	AISI 316	1

ITEM NO.	PART NUMBER	DESCRIPTION	MATERIAL	QTY.
1	162-ISUZU-RER-RH-MNT-BRKT-01-00	REAR RH MOUNTING BRACKET	Mild Steel (3mm)	1
2	162-ISUZU-RER-MNT-GUSS-01-00	REAR MOUNT GUSSET	Mild Steel (3mm)	1
3	LBM-000-001 Rev A	LOAD BAR MNT BRKT	SS 304	1
4	DIN 125A M8 Flat Washer	Flat Washer	AISI 316	6
5	DIN 933 M8x20 Hex Head Bolt	Hex Head Bolt	AISI 316	4
6	DIN 125B M8 Spring Washer - Compressed	M8 Spring Washer	AISI 316	2
7	M8 Nut Cap	Plastic Nut Cap	PE Low/Medium Density	6
8	DIN 985 M8 Nyloc Nut	Nyloc Nut	AISI 316	3
9	TLC Shim	TLC SHIM	1060 Alloy (1.6mm)	6
10	M8x40 Hex Head Bolt	Hex Head Bolt	AISI 316	1

4. Images showing front mounting position of mounting brackets in load bin



5. Images showing rear mounting position of Canopy Camper



NB! The Canopy Camper must rest solely on the mounting brackets and no load is allowed on the load bin. Once this is completed, the Canopy Camper has been installed successfully.