

FITMENT INSTRUCTIONS

Alu-CabTM



CANOPY CAMPER TO SUIT JEEP GLADIATOR

All rights reserved. No part of this document may be reproduced, translated, stored in a retrieval system, or transmitted, in any form or by any means, electronic, mechanical, photocopying, recording or otherwise, without prior written permission of the owner.

Review all instructions information carefully before installation.

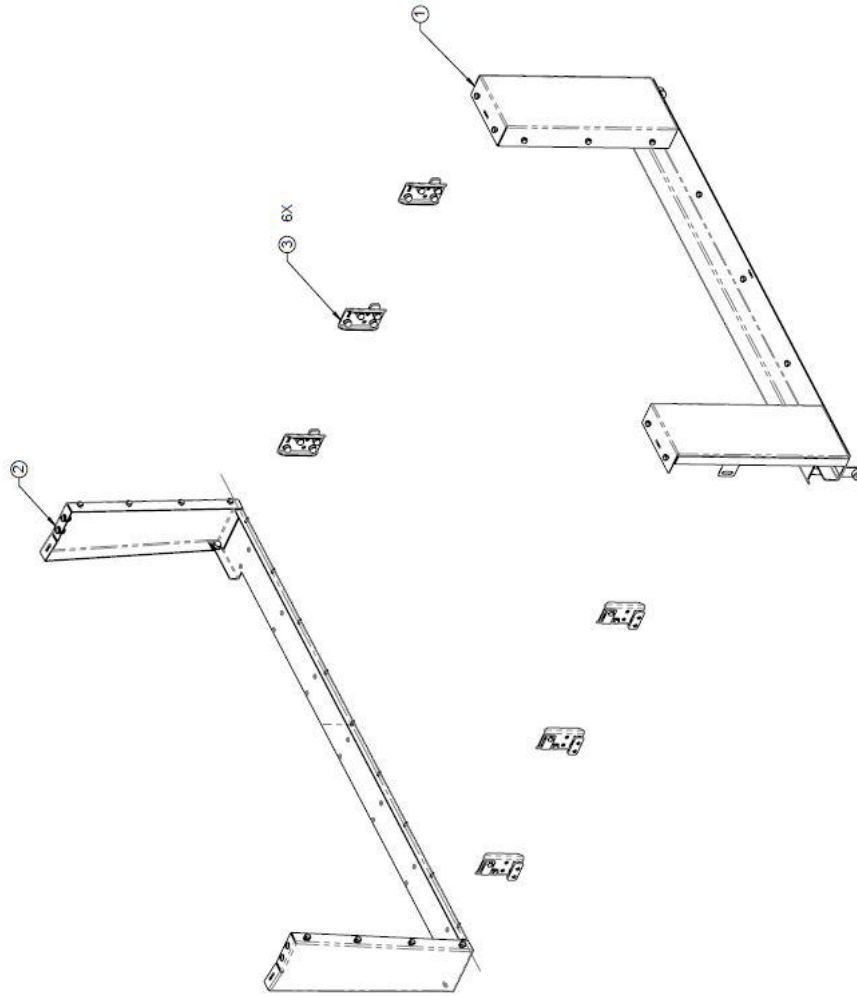
Any damages, direct or incidental to the installer and/or property due to incorrect installation of any parts are the responsibility of the installer. Due to the various applications and fitment options available, the responsibility lies with the user to ensure all mounting points are secure and tight before every trip. If unsure, consult with your Distributor regarding the operations of our products.

Users are advised to be mindful of the load they are carrying and drive in accordance with road conditions.

DISCLAIMER

Alu-Cab

Mounting & Filler Kit - Component Identification



CC-FK-JG

ITEM NO.	PART NUMBER	DESCRIPTION	QTY
1	162-JPGLAD-RR-FILLER-KIT-ASSY-01	REAR FILLER KIT	1
2	162-JPGLAD-FNT-FILLER-KIT-ASSY-01	FRONT FILLER KIT	1
3	162-JPGLAD-MOUNT-BRACKETS-ASSY	JEEP GLADIATOR MOUNTING KIT	6

DESCRIPTION: M&F KIT JEEP GLADIATOR (2019+) DC DRAWING NO: 00000002		
SHEET 1 of 1	SCALE: 1:10	
DRAWN BY: Dorian Jambouche DATE: 2020-08-22 CHECKED BY: Dorian Jambouche DATE: 2020-08-22 IN THE INTELLIGENT PROPERTY OF ALU-CAB (PTY) LTD		

REV.	DESCRIPTION	DATE	APPROVED	ECO
00	RELEASED FOR PRODUCTION	2020-09-22	System Administrator	

NEW DIMENSIONS	OLD DIMENSIONS	DIFFERENCE
8.50	8.00	+ 0.50
3.00	3.00	± 0.00
1.00	1.00	± 0.00
2.00	2.00	± 0.00
1000	1000	± 0.00

Rear Filler Kit - Component Identification

FINISH: POLYESTER	FINISH: POLYESTER	FINISH: POLYESTER	FINISH: POLYESTER	FINISH: POLYESTER	FINISH: POLYESTER
PAINTED: Y	PAINTED: Y	PAINTED: Y	PAINTED: Y	PAINTED: Y	PAINTED: Y
WELDED: N/A	WELDED: N/A	WELDED: N/A	WELDED: N/A	WELDED: N/A	WELDED: N/A
BRUSHED: N/A	BRUSHED: N/A	BRUSHED: N/A	BRUSHED: N/A	BRUSHED: N/A	BRUSHED: N/A
POWDER: N/A	POWDER: N/A	POWDER: N/A	POWDER: N/A	POWDER: N/A	POWDER: N/A
COLOUR: NA	COLOUR: NA	COLOUR: NA	COLOUR: NA	COLOUR: NA	COLOUR: NA

ITEM NO.	PART NUMBER	DESCRIPTION	QTY
1	162-JPGLAD-BOT-SUPP-BRKT-01	BOTTOM SUPPORT BRACKET	1
2	162-JPGLAD-INNER-BOX-RH-01	FILLER BOX RH	1
3	162-JPGLAD-INNER-BOX-LH-01	FILLER BOX LH	1
4	162-JPGLAD-BUSH-01	NYLON SPACER BUSH	2
5	SPNG-RUB-325 - 500mm	Sponge Rubber 25x3mm - 500mm Long	2
6	FYM-M8	M8x16mm FLAT WASHER SS - DIN 125	21
7	NCAP-M8	NUT CAP-08mm	21
8	NY-M8	M8 NYLOC NUT S/S	17
9	HEX-M8-20	M8x20 HEX BOLT S/S	17
10	A-BND-RUB - 1250mm	A BAND (25x20x1600mm Lg)	1

TOLERANCES TO ASSUME		DIMENSIONS UNLESS SPECIFIED OTHERWISE	
FINISH	AS	SCALE	1:20
0.50	± 0.10	DRAWN BY: [Signature]	
1.00	± 0.15	DATE: [Date]	
3.00	± 0.30	CHECKED BY: [Signature]	
6.00	± 0.60	DATE: [Date]	
10.00	± 1.00	DRAWING NO: [Number]	
15.00	± 1.50	SHEET 1 of 1	
20.00	± 2.00	SHEET 1 of 1	
25.00	± 2.50	SHEET 1 of 1	
30.00	± 3.00	SHEET 1 of 1	
35.00	± 3.50	SHEET 1 of 1	
40.00	± 4.00	SHEET 1 of 1	
45.00	± 4.50	SHEET 1 of 1	
50.00	± 5.00	SHEET 1 of 1	
55.00	± 5.50	SHEET 1 of 1	
60.00	± 6.00	SHEET 1 of 1	
65.00	± 6.50	SHEET 1 of 1	
70.00	± 7.00	SHEET 1 of 1	
75.00	± 7.50	SHEET 1 of 1	
80.00	± 8.00	SHEET 1 of 1	
85.00	± 8.50	SHEET 1 of 1	
90.00	± 9.00	SHEET 1 of 1	
95.00	± 9.50	SHEET 1 of 1	
100.00	± 10.00	SHEET 1 of 1	

	SHEET 1 of 1 SCALE 1:20 DRAWING NO: [Number] DATE: [Date] CHECKED BY: [Signature] DRAWN BY: [Signature]
REAR FILLER KIT 162-JPGLAD-RER-FILLER-KIT-ASSY-01 00	

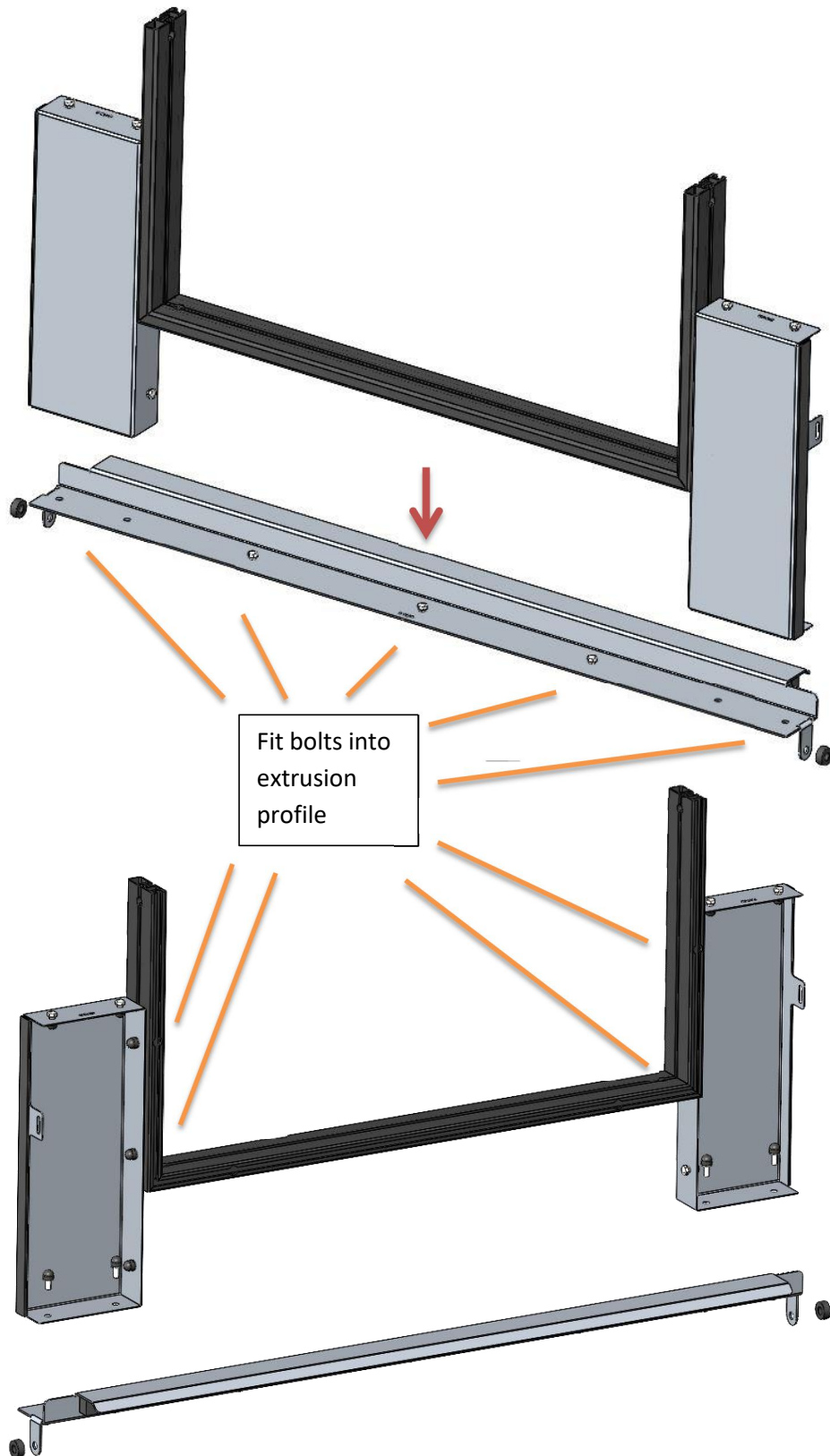


WARNING

Always wear appropriate PPE (Personal protection equipment) when fitting this product. Although the mounting kit is designed to be DIY, if you have any doubts or concerns, contact an accredited fitment centre to carry out the work. Alu-Cab will not be liable for any injury to persons, and/or damage to products and/or vehicles.

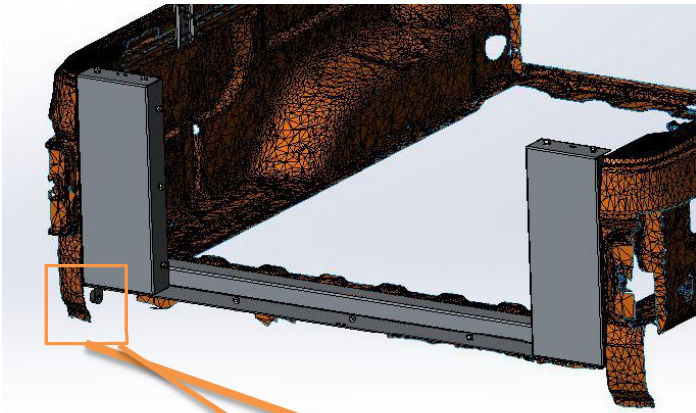
Rear Filler Kit - Assembly

Fit the lower door frame, supplied with the Canopy Camper base unit, into the Rear Filler assembly, and tighten the factory fitted fasteners, as below:

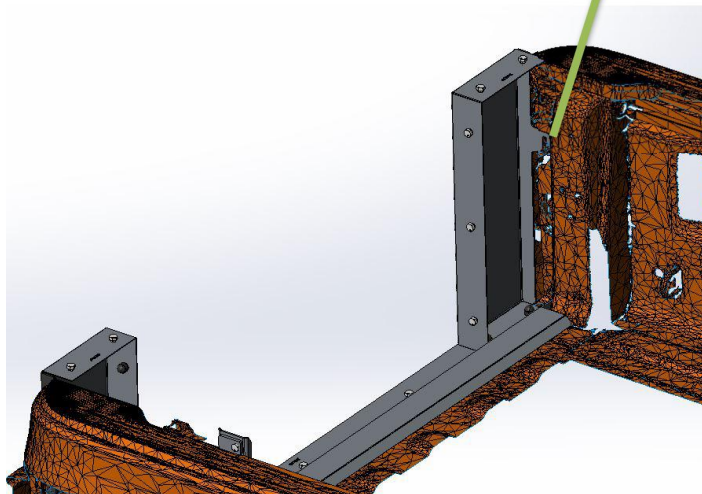
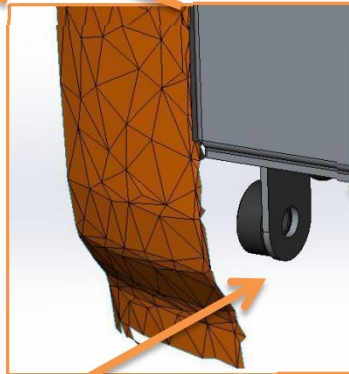


Rear Filler Kit - Installation

Remove the tailgate, and fit the Rear Filler Assembly (with the Lower Door Frame fitted):

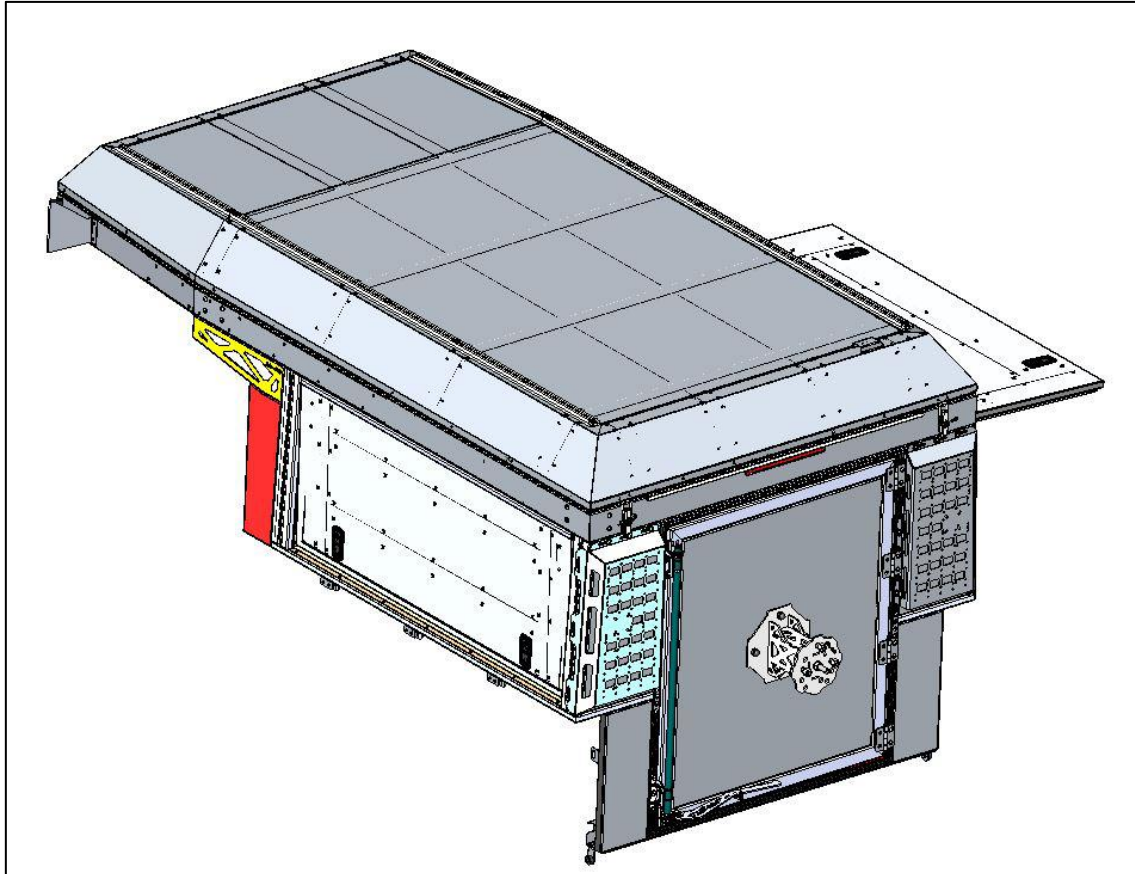


Remove the tailgate and bolt the base plate to the holes of the tail gate fixing point. Use two M10x45mm partial thread bolts in place of the OEM BOLTS.



Canopy Camper Base Unit - Installation & Assembly

Seating the Base Unit

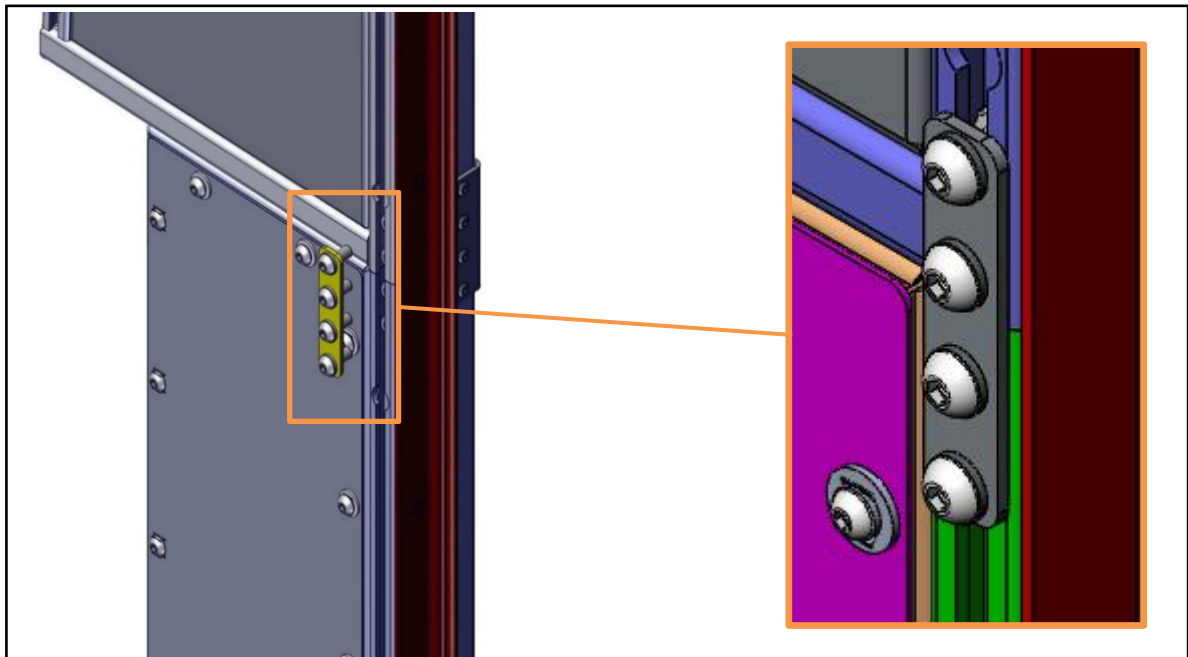


Attach the gasket material to the lower seating surface of the Canopy Camper's base frame - Refer to the stand alone Fitment Instruction for this process.

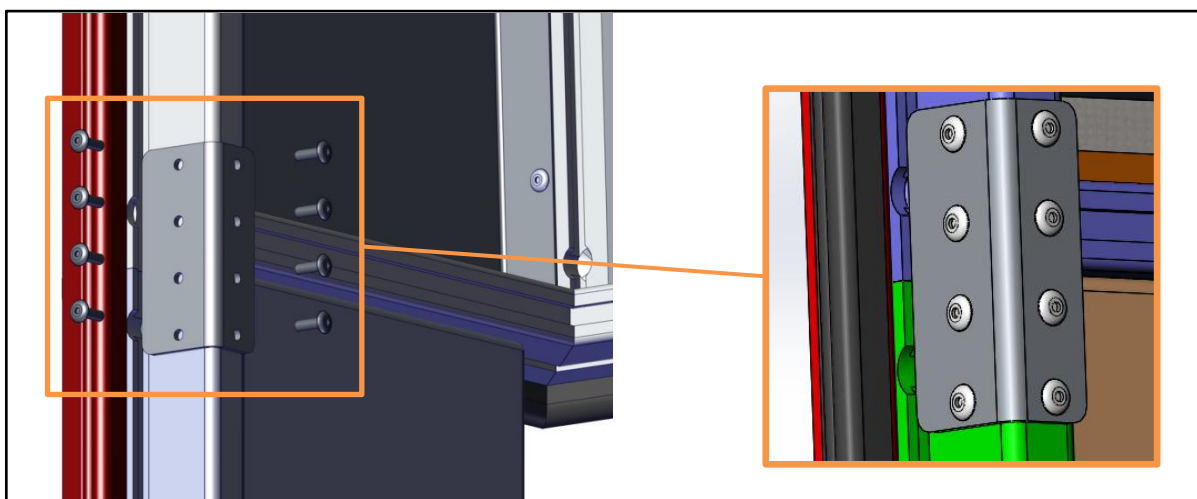
Lower the Canopy Camper Base Unit onto the already mounted Rear Filler Assembly, as shown in the image above, and align the lower and upper portions of the door frame.

Base Unit to Rear Filler Assembly Connection

Using the supplied hardware, fasten the lower and upper door frames together, on each side of the **EXTERNAL** door opening. See images below:

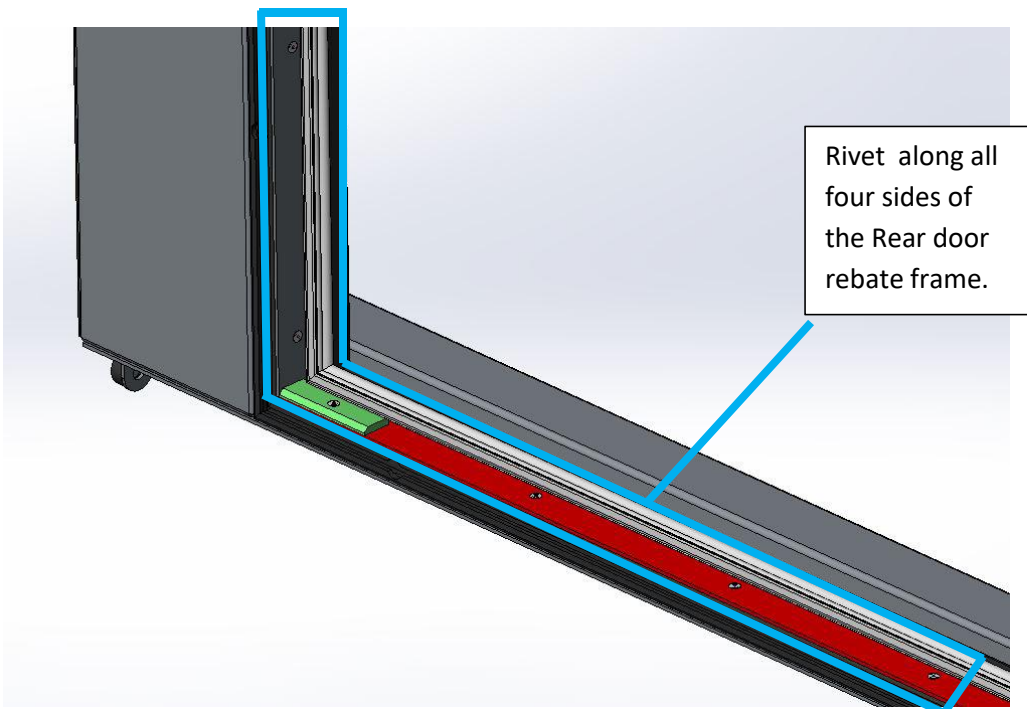
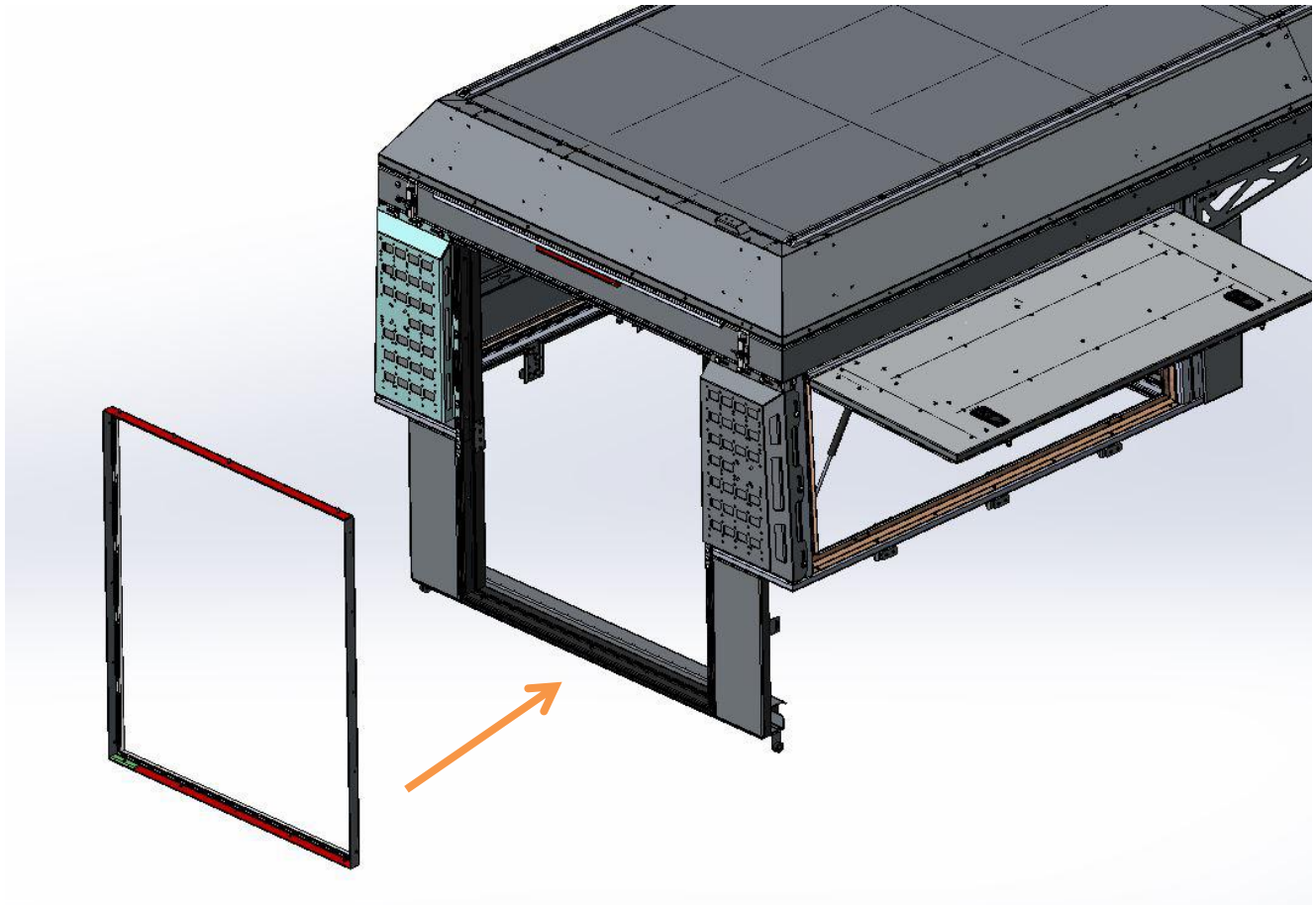


Using the supplied hardware, fasten the lower and upper door frames together, on each side of the **INTERNAL** door opening. See images below:



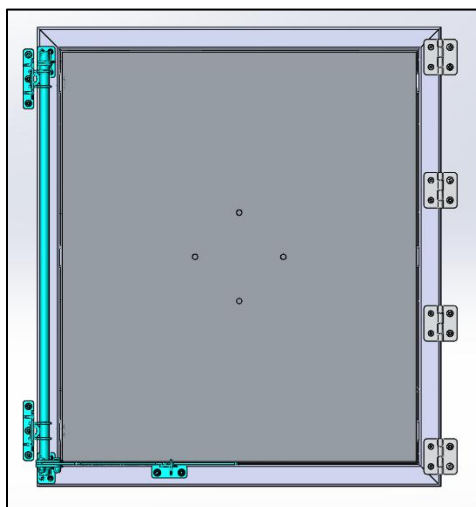
Rear Door Rebate Installation

Insert the Rear Door Rebate Frame into the door frame opening, ensure that mounting holes all align. Using the supplied hardware, rivet the frame in place along the LHS, RHS and upper and lower mounting interfaces. See images below:



Rear Door Installation

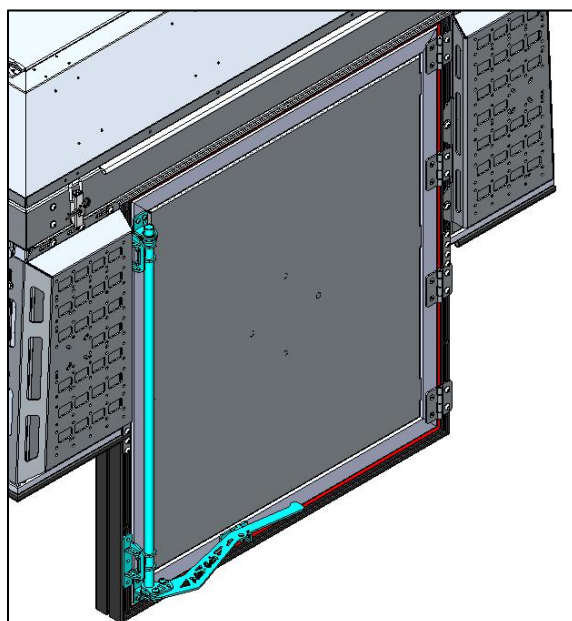
The Rear Door Assembly is supplied fully assembled with its hinges, and the locking mechanism, as shown below:



Insert the assembled door into the rear door opening. Fasten the four (4) hinges into the nut slot on the RHS door frame first, using the supplied hardware.

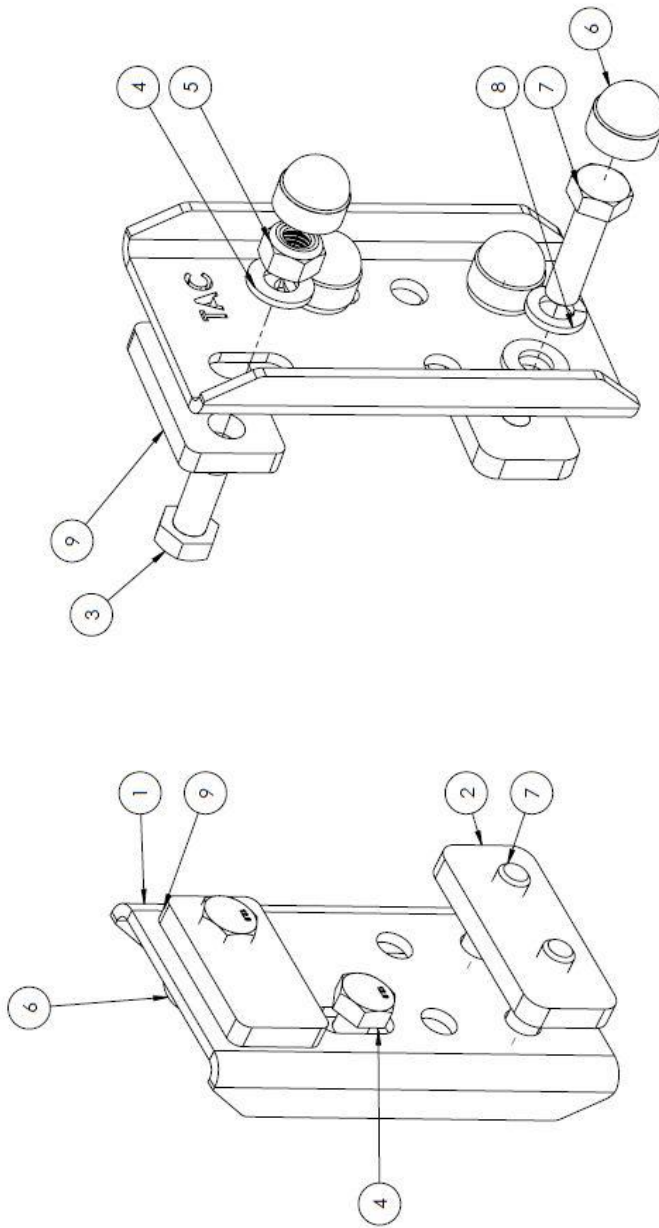
Align the two (2) locking mechanism Hook Brackets with the upper and lower lock tabs and fasten into the nut slot on the LHS frame, using the supplied hardware.

Installed Rear Door shown below (rear Filler Assembly removed for clarity):



Mounting Bracket Kit - Component Identification

MASS FACE	WELDED	Y
FINISH	BRUNNED	
COLOUR	N/A	



ITEM NO.	PART NUMBER	DESCRIPTION	QTY
1	162-TT-CC-VERT-MNT-BRKT-01	VERTICAL MOUNT BRACKET	1
2	TT-NUT-PLT-01	NUT PLATE	1
3	HEX-M8x20	M8x20 HEX BOLT S/S	2
4	FW-M8	M8x16mm FLAT WASHER S/S - DIN 125	4
5	NY-M8	M8 NYLOC NUT S/S	2
6	NCAP-M8	NUT CAP-08mm	4
7	HEX-M8x30	M8x30 HEX BOLT S/S	2
8	SW-M8	M8 SPRING WASHER S/S	2
9	162-JPGLAD-SPAC-PLT-01	SPACER PLATE	1

6 SETS REQUIRED

DRAWING NO: 8222029
 DATE: 12/01/2010
 DRAWN BY: System Administrator
 CHECKED BY: System Administrator
 IN THE INTEREST OF YOUR SAFETY, PLEASE READ THE INSTRUCTIONS CAREFULLY.

SHEET 1 of 1
 SCALE 1:2
 DRAWING NO: 8222029

Alu-Cab
 ALUMINIUM CABINETS & ACCESSORIES

162-JPGLAD-MOUNT-BRACKETS-ASSY 00

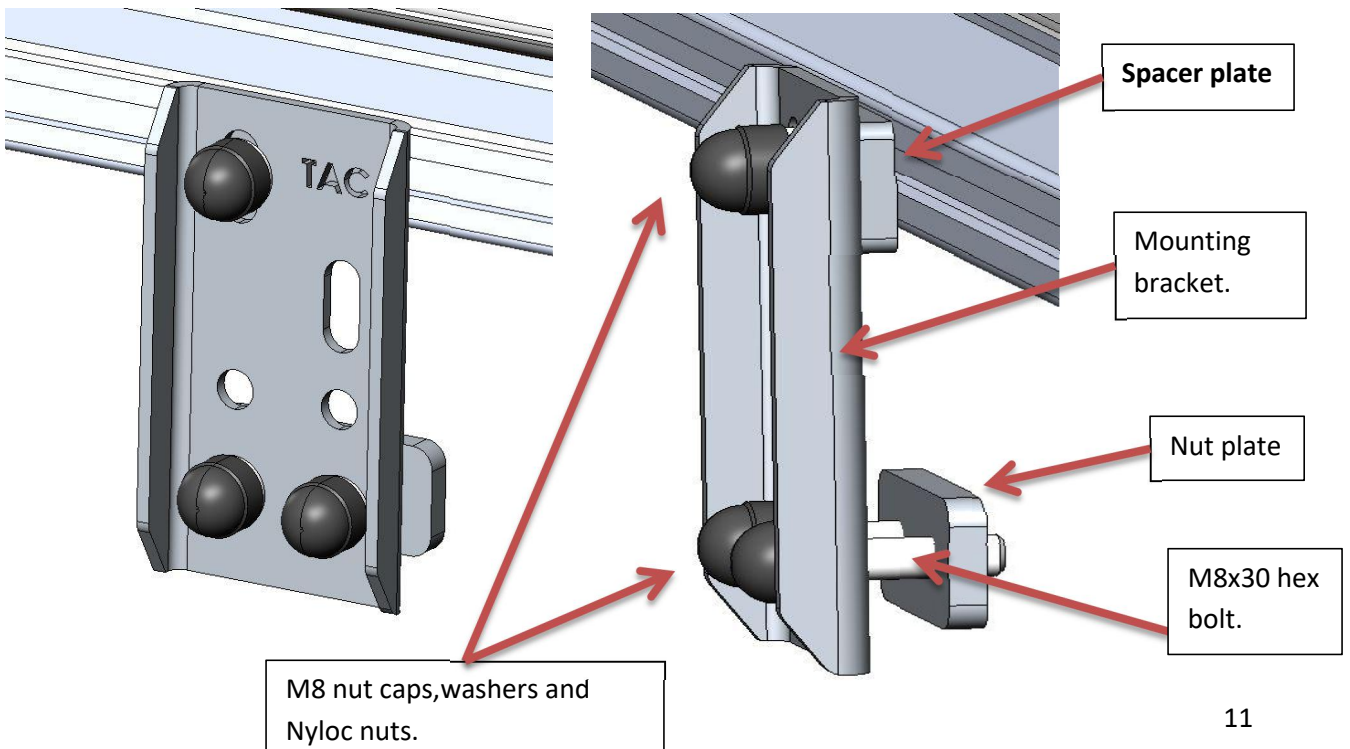
Mounting Bracket Kit - Installation

Mounting Brackets

Slide 3 M8x20 hex head bolts on each side of the camper base extrusion

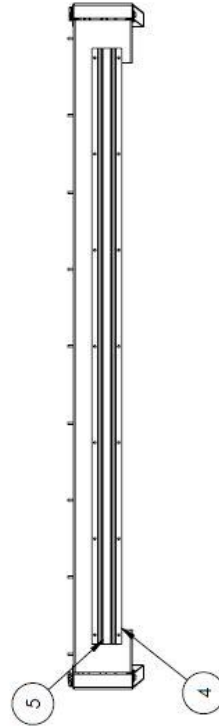
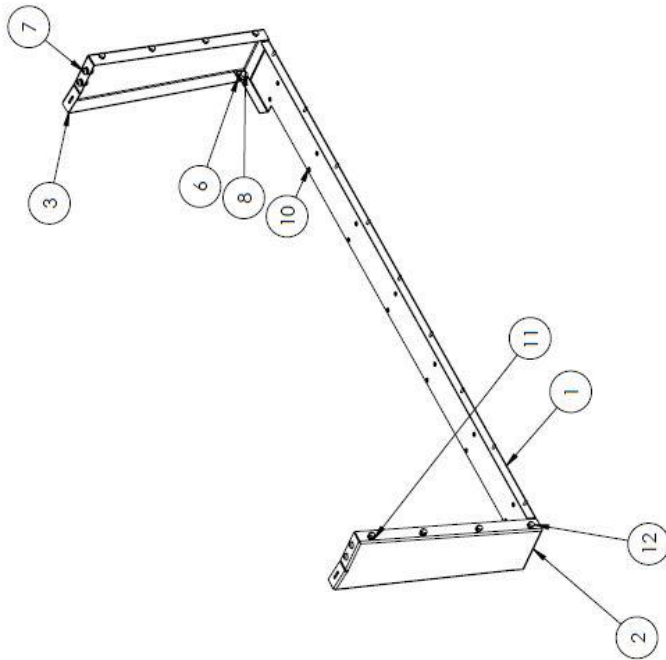


And slide the 3x threaded nut plates into the OEM Cargo rail.



Front Filler Kit - Component Identification

MASS FINI	NO
BONDED	Y
WELDED	Y
TUMBLE	Y
BRUSHED	Y
PAINT	Y
COLOUR	NA



ITEM NO.	PART NUMBER	DESCRIPTION	QTY
1	162-JPGLAD-BOT-FILL-PLT-01	BOTTOM FILLER PLATE	1
2	162-JPGLAD-SID-FILL-PNL-LH-01	SIDE FILLER PANEL	1
3	162-JPGLAD-SID-FILL-PNL-RH-01	SIDE FILLER PANEL RH	1
4	162-JPGLAD-FNT-BOT-SPCR-01	FRONT BOTTOM SPACER	1
5	JPGLAD-RUB-D - 1400mm	D RUBBER (MEDIUM)	1
6	FFW-M8	M8x24mm OVERSIZED WASHER S/S - DIN 9021	4
7	BHD-M6x20	M6x20 BHD BOLT S/S	6
8	NCAP-M8	NUT CAP-08mm	14
9	NY-M8	M8 NYLOC NUT S/S	14
10	RIV-4815A33	SEALED BLIND RIVET	23
11	FW-M8	M8x16mm FLAT WASHER S/S - DIN 125	18
12	HEX-M6x20	M6x20 HEX BOLT S/S	8

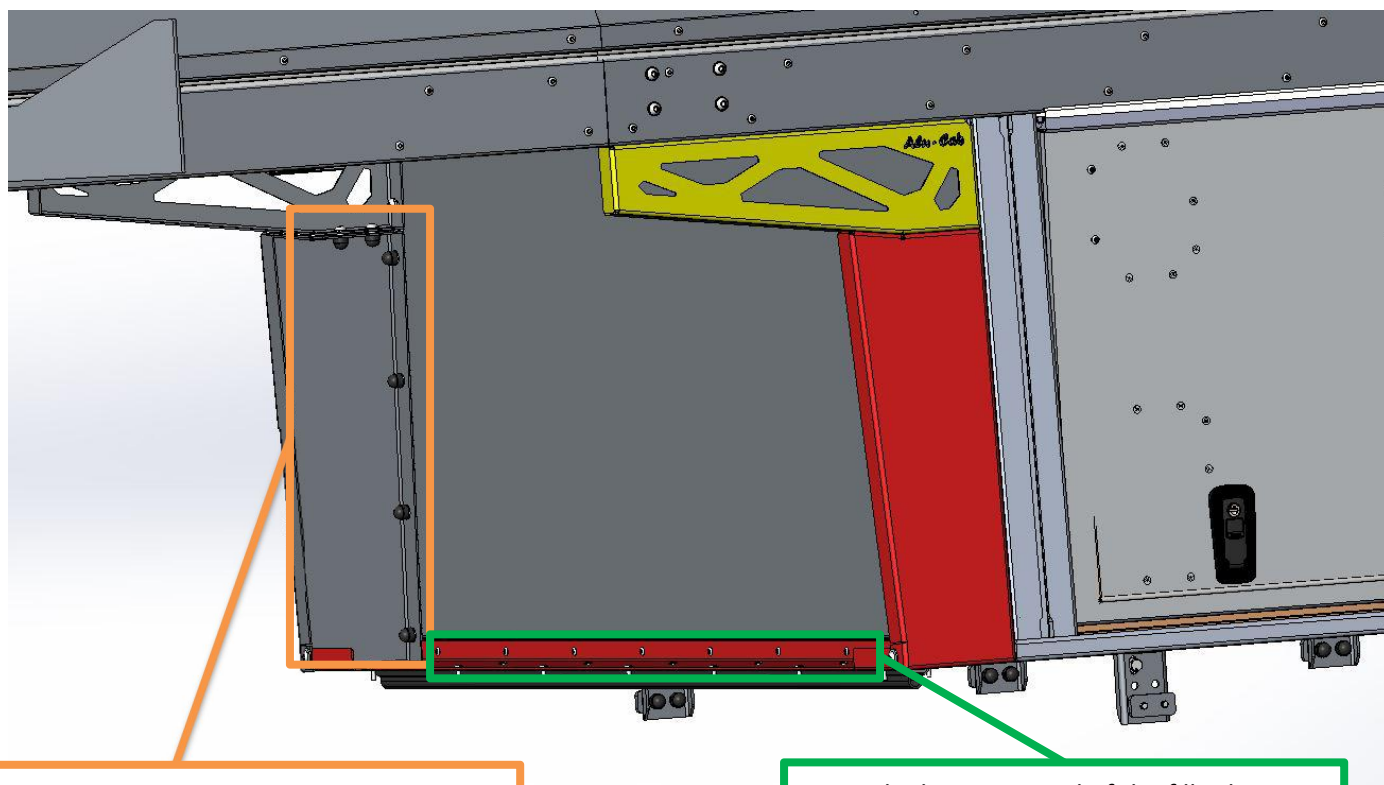
TOLERANCES TO ASSUME UNLESS INDICATED OTHERWISE
 DIMENSIONAL RANGE (mm) TOLERANCE (mm) PROJECT:

0.00 - 2.00	± 0.15	
2.00 - 5.00	± 0.15	
5.00 - 30	± 0.20	
30 - 50	± 0.30	
50 - 100	± 0.50	
100 - 200	± 1.00	
200 - 1000	± 1.00	
1000 -	± 2.00	

DATE: 8/22/2023
 SYSTEM ADMINISTRATOR
 THE INFORMATION CONTAINED WITHIN THIS DOCUMENT IS THE INTELLECTUAL PROPERTY OF ALEN-CAB SYSTEMS

SHEET: A3
 SCALE: 1:20
 SHEET 1 of 1
 DRAWING NO: 162-JPGLAD-FNT-FILLER-KIT-ASSY-01
 REF: 00

Front Filler Kit - Installation



Bolt the front panel using the bolts supplied with the front filler kit as per drawing on the previous page.

Rivet the bottom panel of the filler kit to the extrusion of the Camper frame.