

# FITMENT INSTRUCTIONS

**Alu-Cab™**

## Adventure & Explorer Canopy to suit ISUZU

**Model Series: RT50 Spec (2013 - 2020) Double & Extra Cab**

**Model Series: RG06 Spec (2020 - Current) Double & Extra Cab**



All rights reserved. No part of this document may be reproduced, translated, stored in a retrieval system, or transmitted, in any form or by any means, electronic, mechanical, photocopying, recording or otherwise, without prior written permission of the owner.

Review all instructions information carefully before installation.

Any damages, direct or incidental to the installer and/or property due to incorrect installation of any parts are the responsibility of the installer. Due to the various applications and fitment options available, the responsibility lies with the user to ensure all mounting points are secure and tight before every trip. If unsure, consult with your Distributor regarding the operations of our products.

Users are advised to be mindful of the load they are carrying and drive in accordance with road conditions.

**DISCLAIMER**

**Alu-Cab**

## **1. Canopy Fitment – Tools, Fasteners, Materials & Torquing**

The tables below show the equipment, i.e. tools and fasteners required to start the canopy fitment for an Isuzu Double & Extra Cab (RT50 & RG06 Models)

### **1.1. Tools Required:**

<b>TOOLS</b>
Torx Screw Driver
Ratchet
13mm spanner & socket
Torque Wrench

### **1.2. Consumables Required:**

<b>ITEMS</b>
Turpentine
Cloth
Black Sealant, Silicone or SikaFlex
Window Cleaner

### **1.3. Fasteners Required ( Included With Canopy ) & Torque Settings**

<b>ITEM : Grade A2-70 ( Stainless ) HB</b>	<b>QTY</b>	<b>Max. HB Torque</b>
M8 x 30mm Hex Bolts ( HB )	10	17 Nm
M8 x 25mm Hex Bolts ( HB )	4	17 Nm
M8 x 40mm Hex Bolts ( HB )	2	17 Nm
M8 x 20mm Hex Bolts ( HB )	12	17 Nm
M8 Flat Washer	20	N / A
M8 Nylock Nuts	18	N / A
M8 Plastic Nut Caps	34	N / A
M8 Oversized Washer	16	N / A
M8 Spring Washer	10	N / A
M8 Nut	2	N / A

### **1.4. Hardware Required : ( Included With Canopy )**

<b>ITEM</b>	<b>DESCRIPTION</b>	<b>QTY</b>
Isuzu Canopy Mount - IRF	Front Right Mounting Bracket	1
Isuzu Canopy Mount - ILF	Front Left Mounting Bracket	1
Isuzu Canopy Mount - IRL/IRR	Rear Right Mounting Bracket	2
Canopy Shim	Canopy Bracket Spacer	20
Universal Canopy Mounting Bracket	Canopy Mounting Bracket	4
Centre Mounting Bracket Top	Centre Mounting Bracket	2
Centre Mounting Bracket Bottom	Hook Type Bracket	2
Canopy Shim	Canopy Bracket Spacer	20



#### **WARNING**

Always wear appropriate PPE (Personal protection equipment) when fitting this product. Although the mounting kit is designed to be DIY, if you have any doubts or concerns, contact an accredited fitment centre to carry out the work. Alu-Cab will not be liable for any injury to persons, and/or damage to products and/or vehicles.

**Part Identification:**

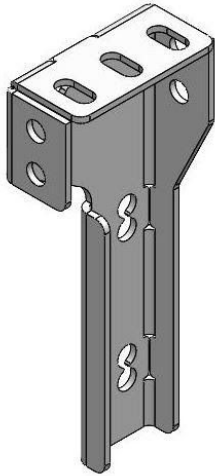


Figure 1:  
Front Mount LH  
Load Bin Bracket

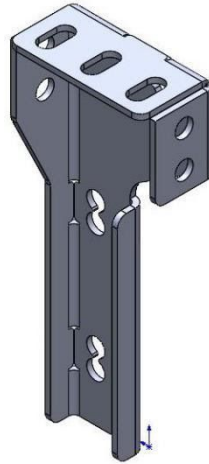


Figure 2:  
Front Mount RH  
Load Bin Bracket

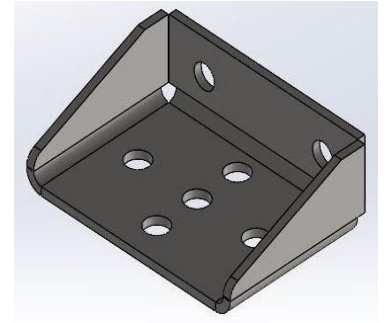


Figure 3:  
Universal Canopy  
Mounting Bracket

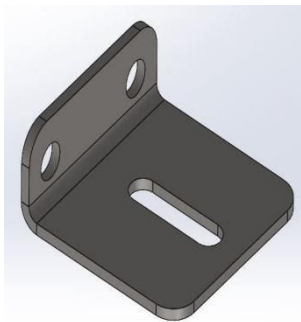


Figure 4:  
Centre Mounting Bracket  
Top

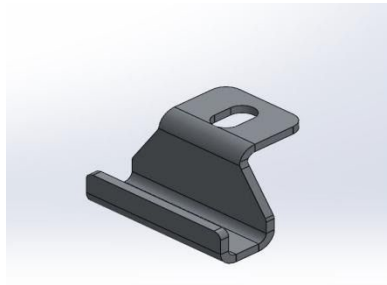


Figure 5:  
Centre Mounting Bracket  
Bottom

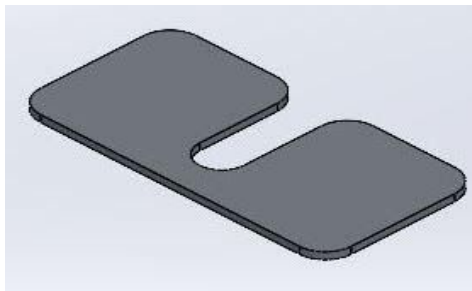


Figure 6:  
Canopy Shim  
( Alu Spacer )

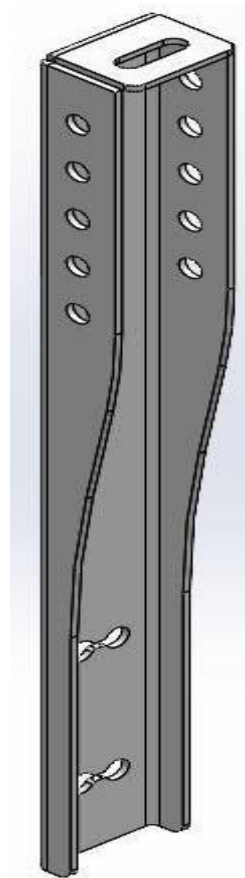


Figure 7:  
Rear Mount  
Load Bin Bracket

## 1.2. Mounting the Support Brackets to the Load Bin

### a) Step 1 – Removing the Standard Hooks

Remove the front and rear standard hook brackets from the load bin using a Phillips screw driver.

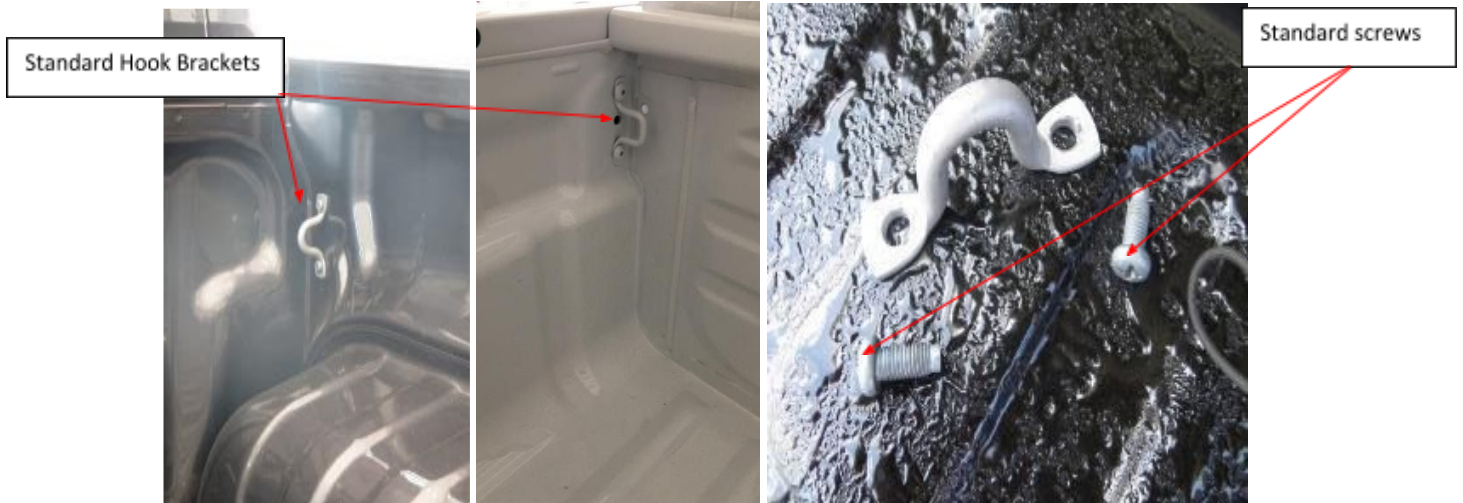


Figure 8 , 9 & 10 : Standard Hook & Screw Points

### b) Step 2 – Positions of the Front and Rear Support Brackets to the Load Bin

Figures 11 and 12 shows where the mounting brackets are fixed to the load bin. It mounts in the same place as the standard hooks shown above.

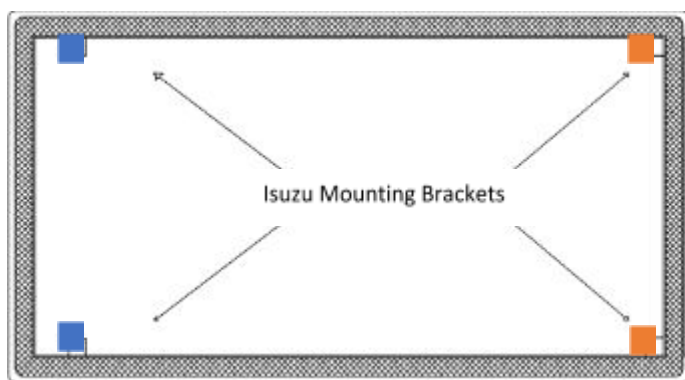


Figure 11.1 : Top View of Load Bin

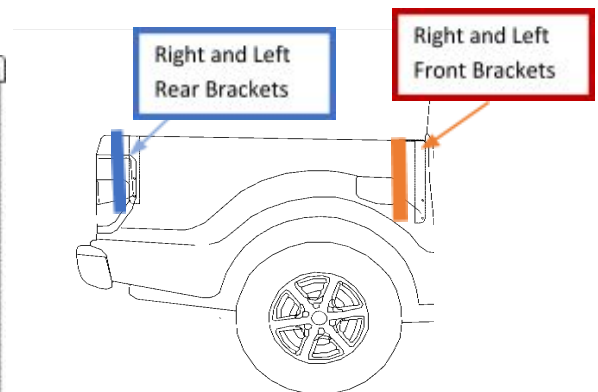


Figure 11.2: Side View of Load Bin

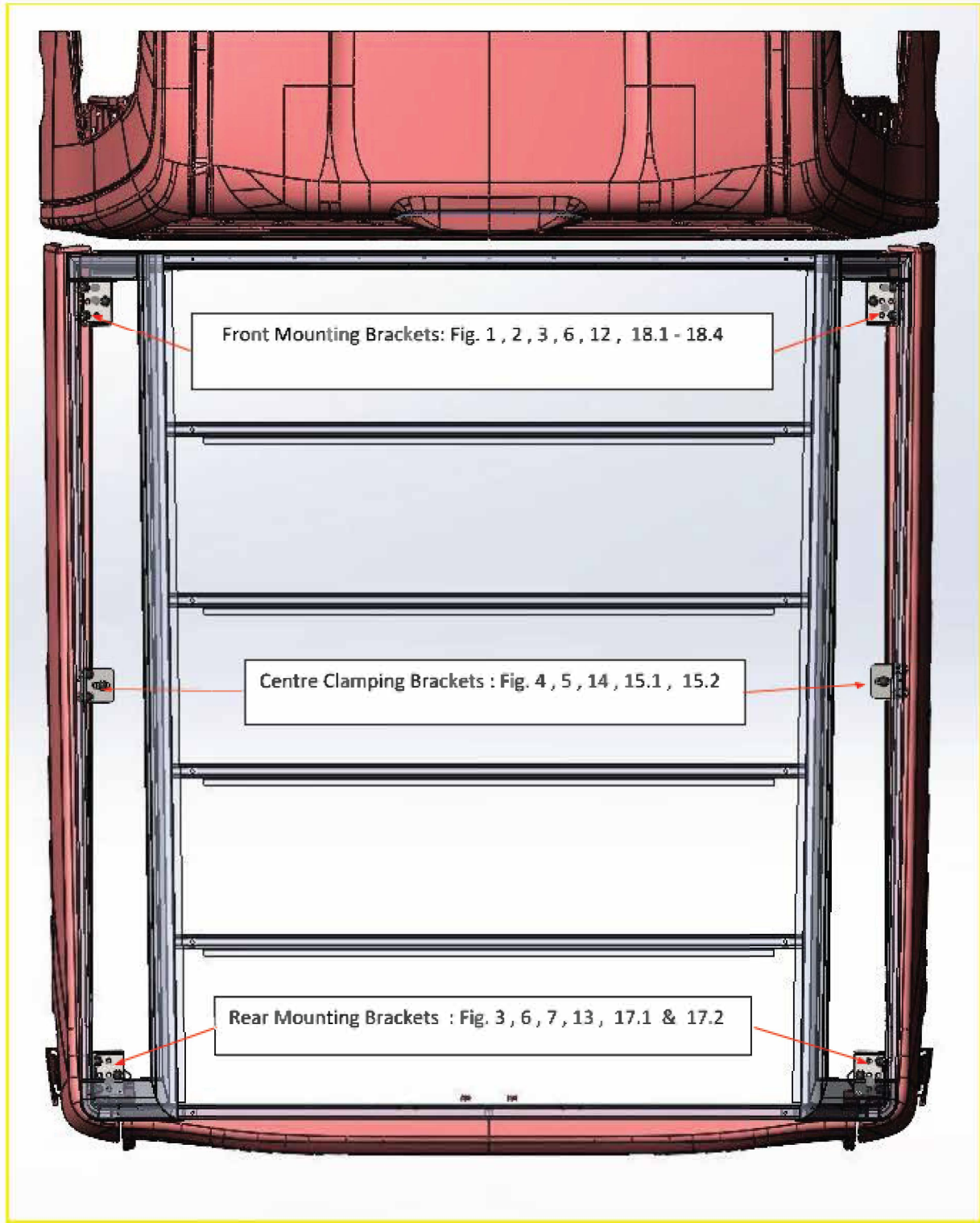


Figure 11.3 : Typical Load Bin Depicting Mounting & Clamping Canopy Points.

c) Step 3 – Bolting the front support brackets to the load bin

Mount the bracket onto the load bin using either the existing screws from the load bin with its hook or with M8x30 hex bolts, M8 flat washers and M8 nut caps provided on the front left & right of the load bin. Please refer to figures 12 , 13 , below.



Figure 12: Front Bracket installed

d) Step 4 – Bolting the rear support brackets to the load bin

Repeat Step 3 for the rear support brackets. This must be done for the left and right hand side rear support brackets. See Figure 13 below.



Figure 13: Rear Bracket installed

### 3. Centre Mounting Brackets

#### 3.1. Mounting the Centre Mounting Bracket

Figure 15.1 & 15.2 below is the assembly of the centre mounting brackets.

Figure 14 below shows a section view of how the centre mounting bracket clamps onto the load bin.

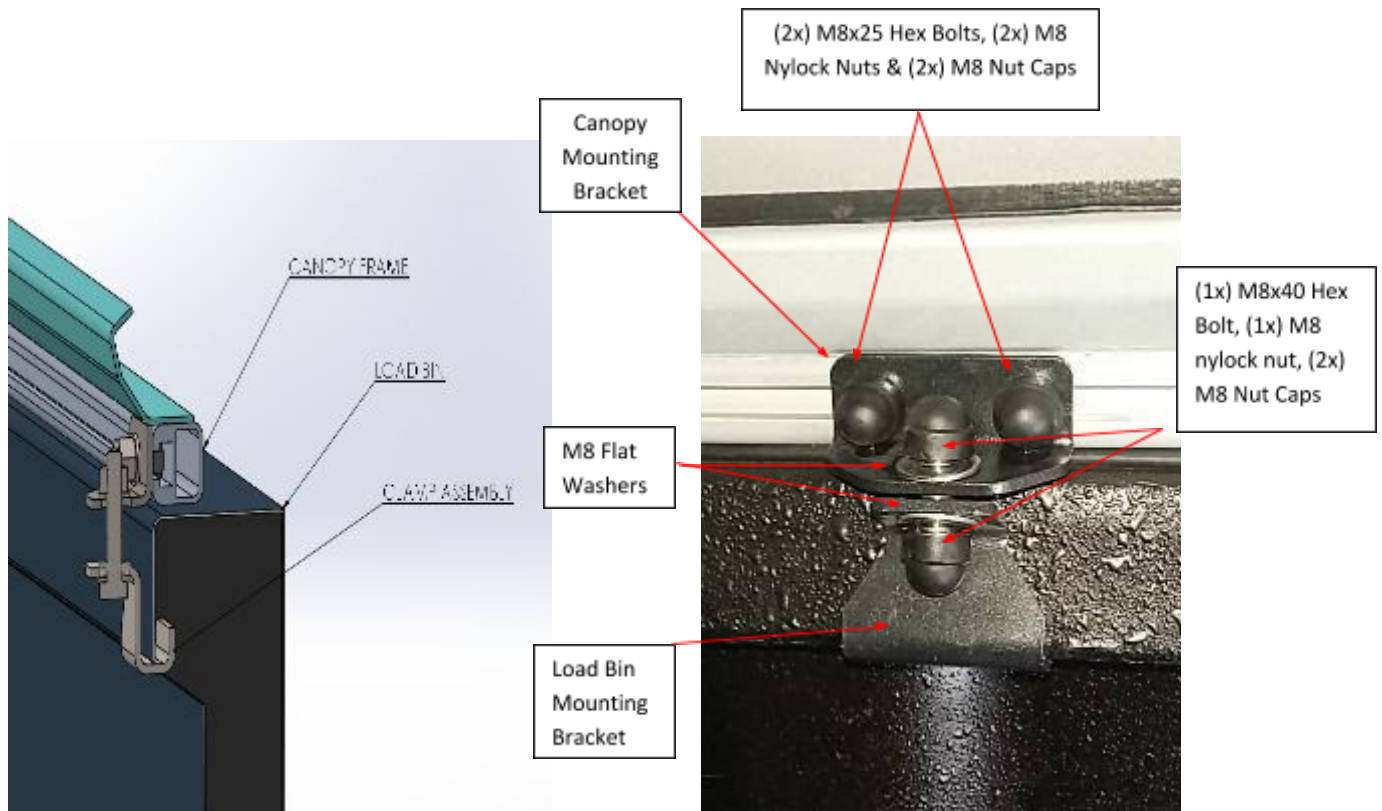


Figure 14: Centre Bracket Mounting Assembly

Figure 15.1: Section View of Clamping

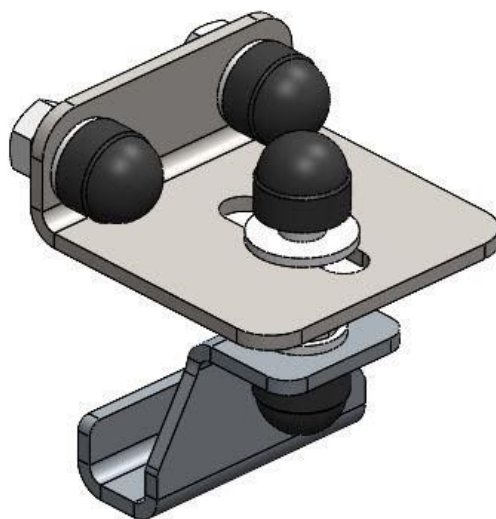


Figure 15.2: Assembly View : Centre Clamp

## 4. Canopy Installation

Before placing the canopy onto the load bin, check that the D-Rubber is intact on the canopy. If this is not done, the canopy and/or load bin could be damaged or can cause leaks into the canopy.

To position the canopy, ensure that it is flush with the load bin.

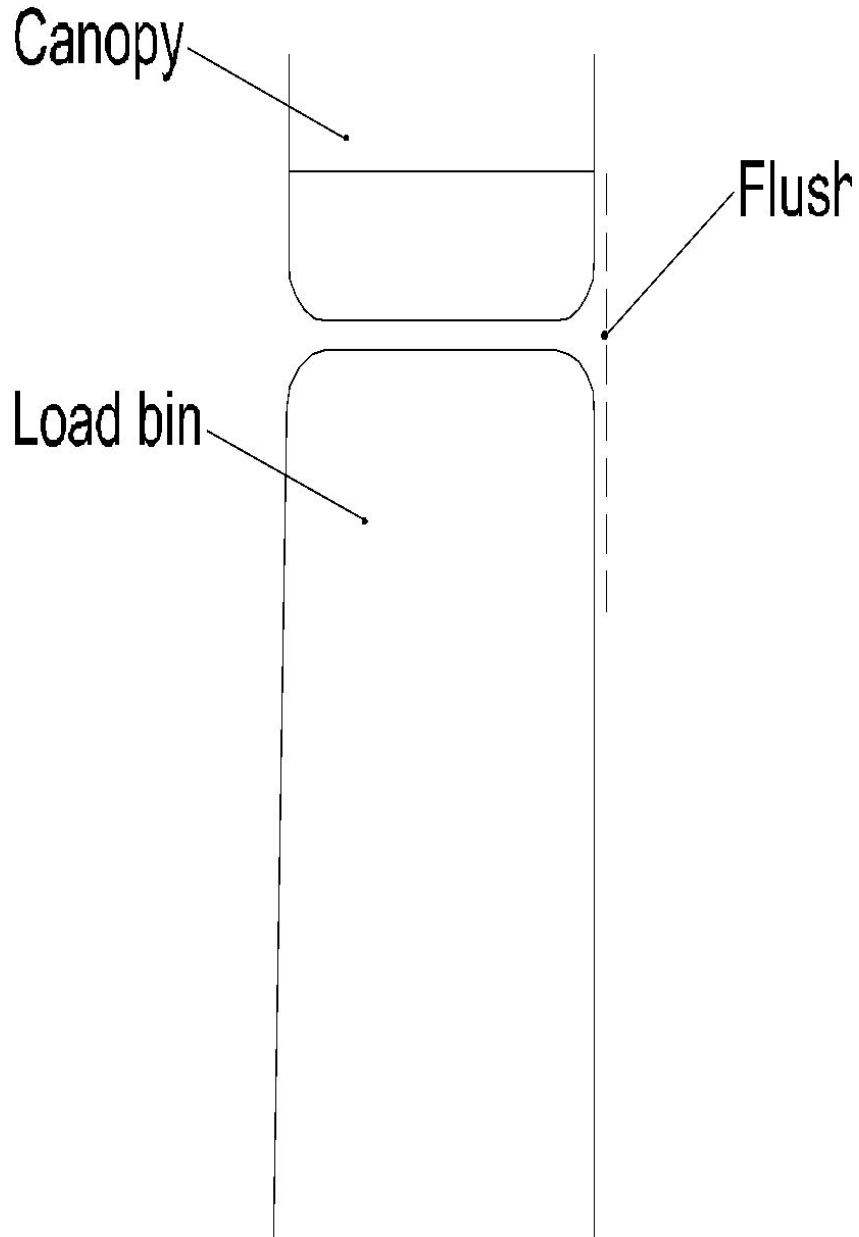


Figure 16: Canopy and Load Bin Alignment



#### **4.1. Canopy Fitment to Load bin**

Keep all the doors of the canopy open besides the rear door when placing it onto the load bin to check for square.

##### **a) Step 1 – Bolting the Universal Bracket to the Rear Support Brackets**

Align the Universal bracket to the rear support bracket mounted to the load bin and insert the mounting bolt. Slide in the spacer plates between the 2 brackets and tighten / torque the bolt to specifications.

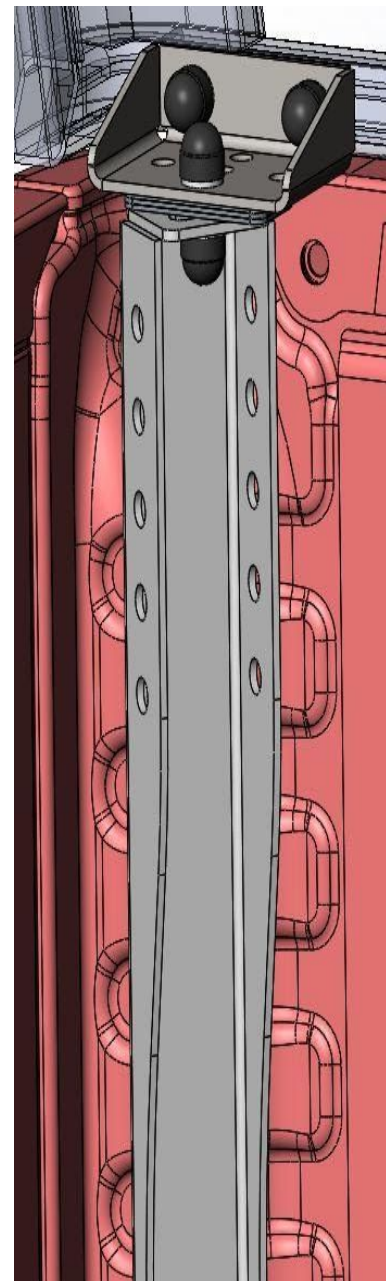
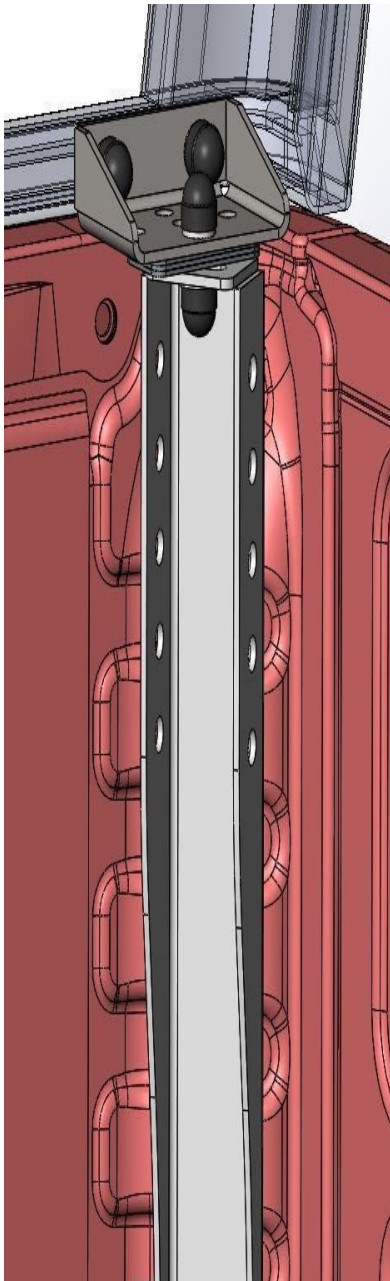
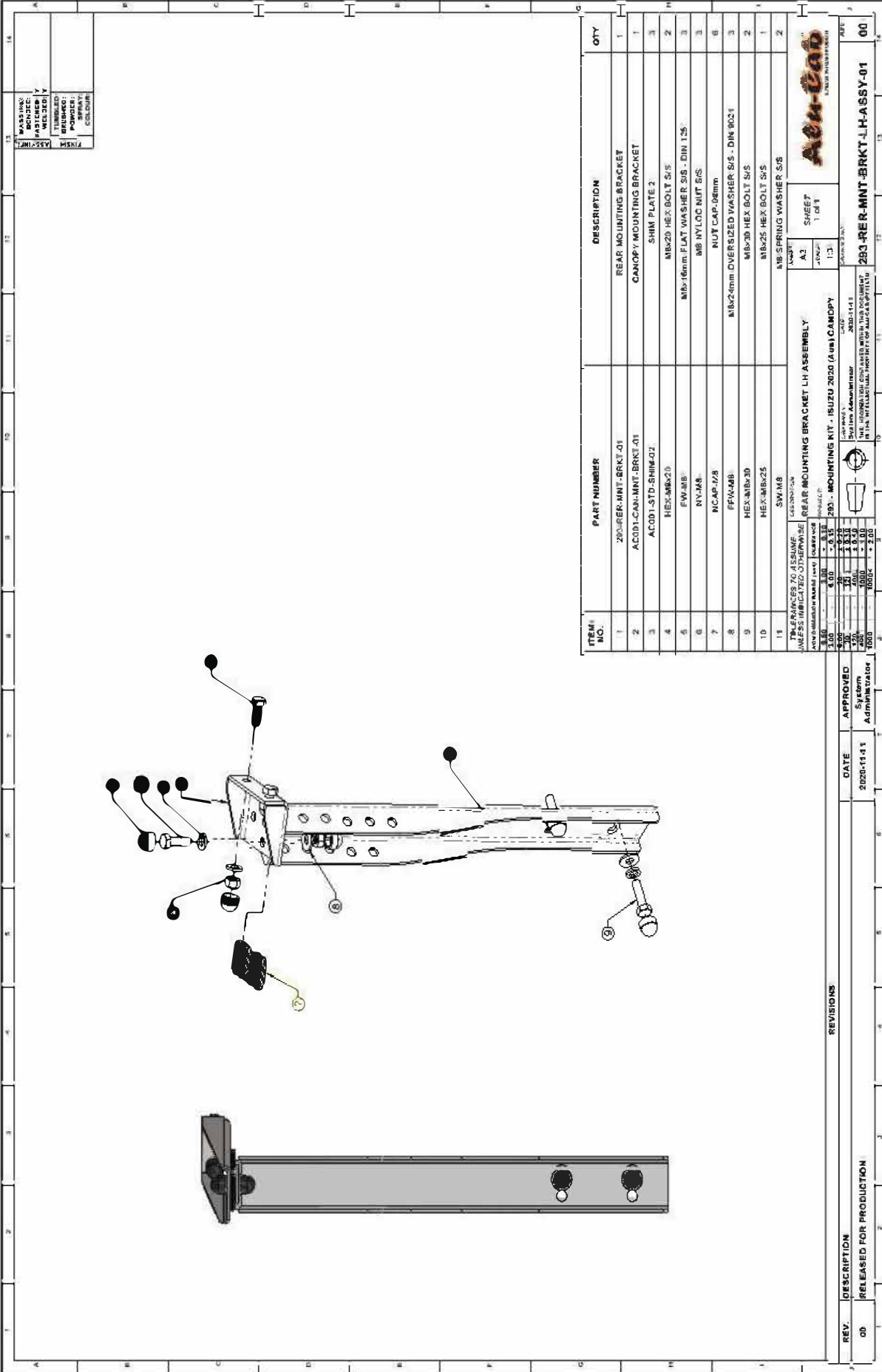


Figure 17.1 : Mounting Universal-Rear Support Brackets : Left Side & Right Side

Figure 17.2 : Please refer to the Supporting Drawing Below



WELDING  
FASTENER Y  
WELDED Y  
BRIMMED  
POWDER  
BRINT  
COATING

ITEM NO.	PART NUMBER	DESCRIPTION	QTY
1	293-REF-MNT-BRKT-01	REAR MOUNTING BRACKET	1
2	AC001-CAN-MNT-BRKT-01	CANOPY MOUNTING BRACKET	1
3	AC001-STD-SHM-02	SHIM PLATE 2	3
4	HEX-MB-20	M16x20 HEX BOLT S/S	2
5	FW-M16	M16x16mm FLAT WASHER S/S - DIN 125	3
6	NY-M16	M16 NYLON NUT S/S	3
7	NYCAP-178	NUT CAP 16mm	3
8	FFW-M16	M16x24mm DIVERSIZED WASHER S/S - DIN 9021	3
9	HEX-MB-20	M16x20 HEX BOLT S/S	2
10	HEX-MB-25	M16x25 HEX BOLT S/S	1
11	SW-M16	M16 SPRING WASHER S/S	2



TABLES TO ASSUME UNLESS INDICATED OTHERWISE UNLESS INDICATED OTHERWISE	
TEL	6.00 ± 0.11
W	0.15 ± 0.03
Ø	0.10 ± 0.02
Ø	0.05 ± 0.01
Ø	0.02 ± 0.00
Ø	0.01 ± 0.00
Ø	0.00 ± 0.00

DATE 2020-11-11  
APPROVED System Administrator

REVISIONS

DESCRIPTION  
RELEASED FOR PRODUCTION

REV. 00

293-REF-MNT-BRKT-LH-ASSY-01

REV. 00

b) Step 2 - Tightening the Universal Bracket to the Canopy

Tighten the nylock nuts and mount the universal bracket to the canopy using a ratchet and a 13mm socket. Cover the nuts with M8 nut caps. This is done for the front and rear mountings brackets.

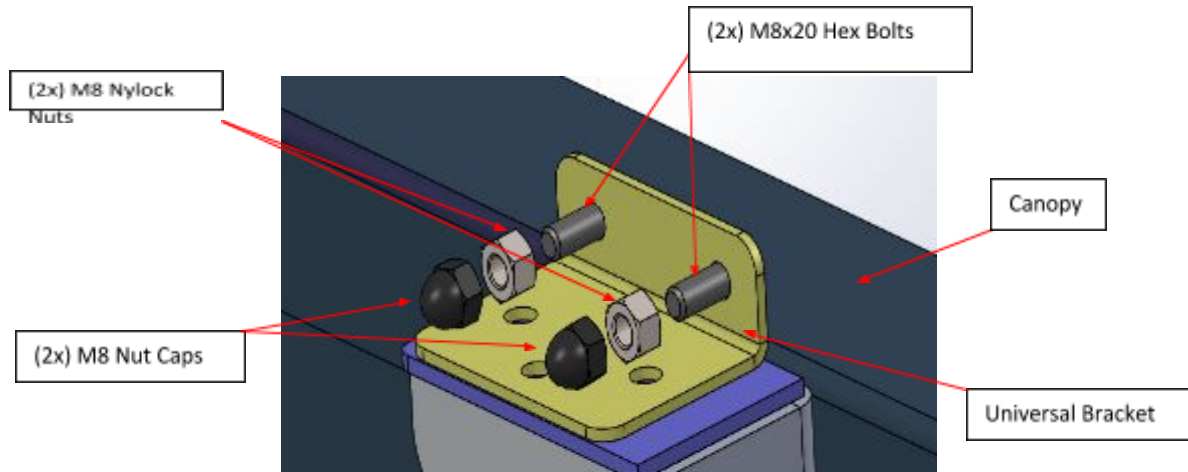
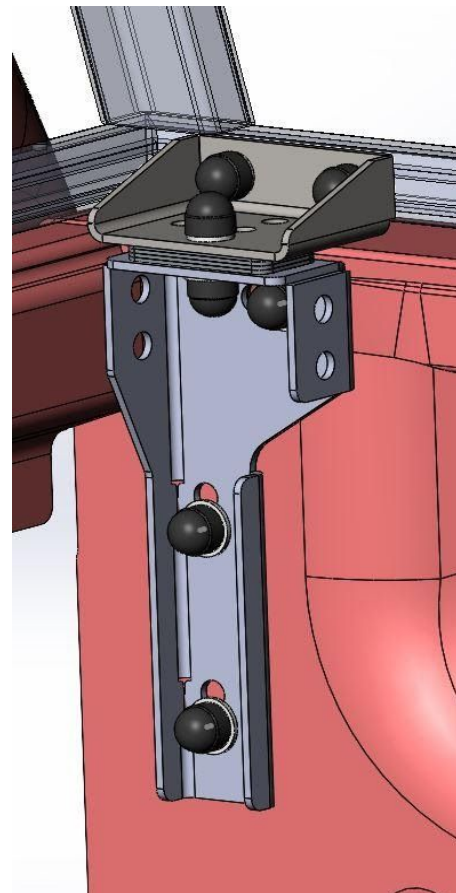
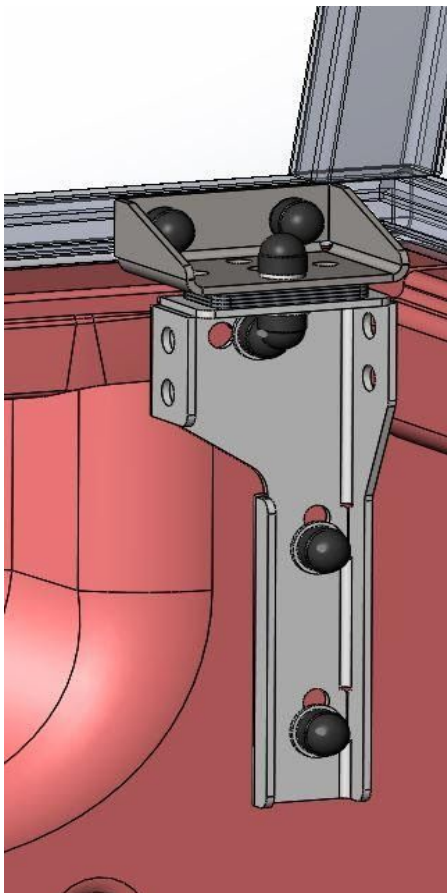
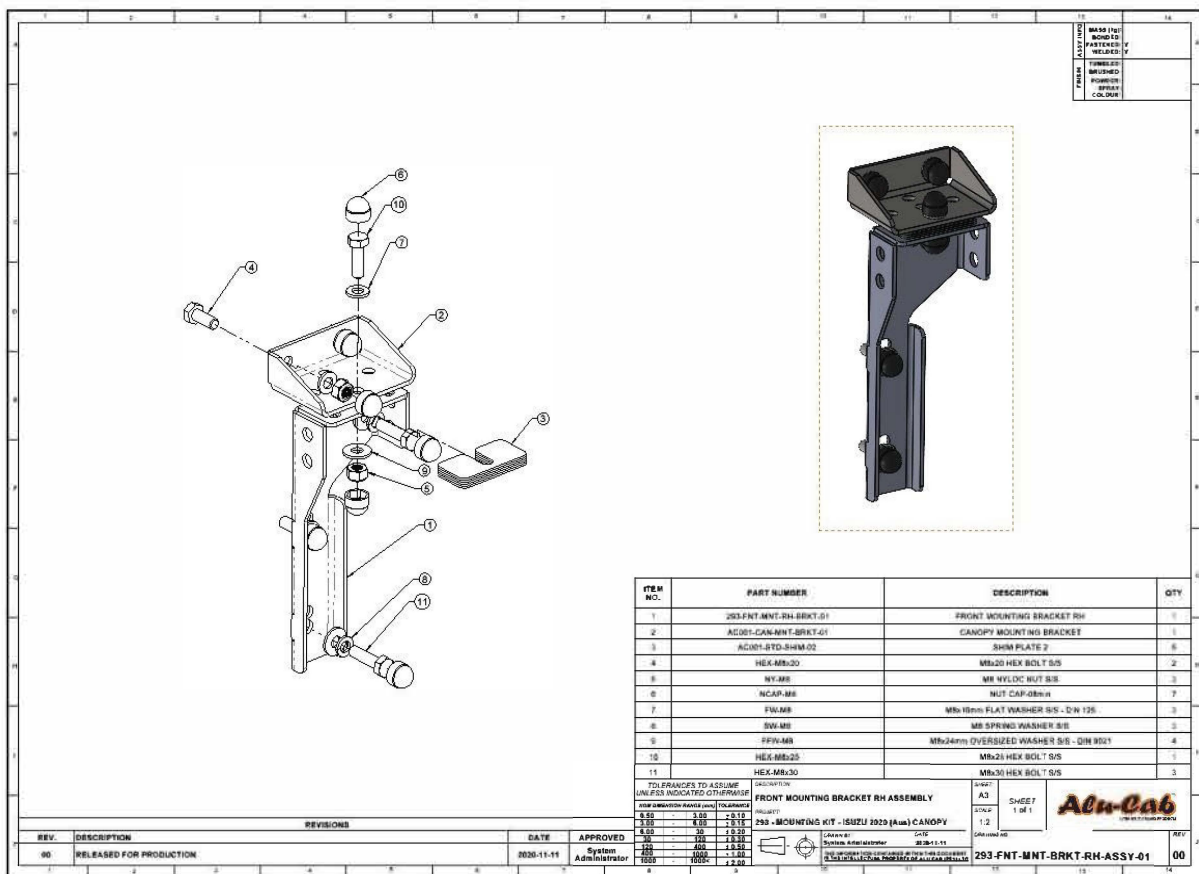
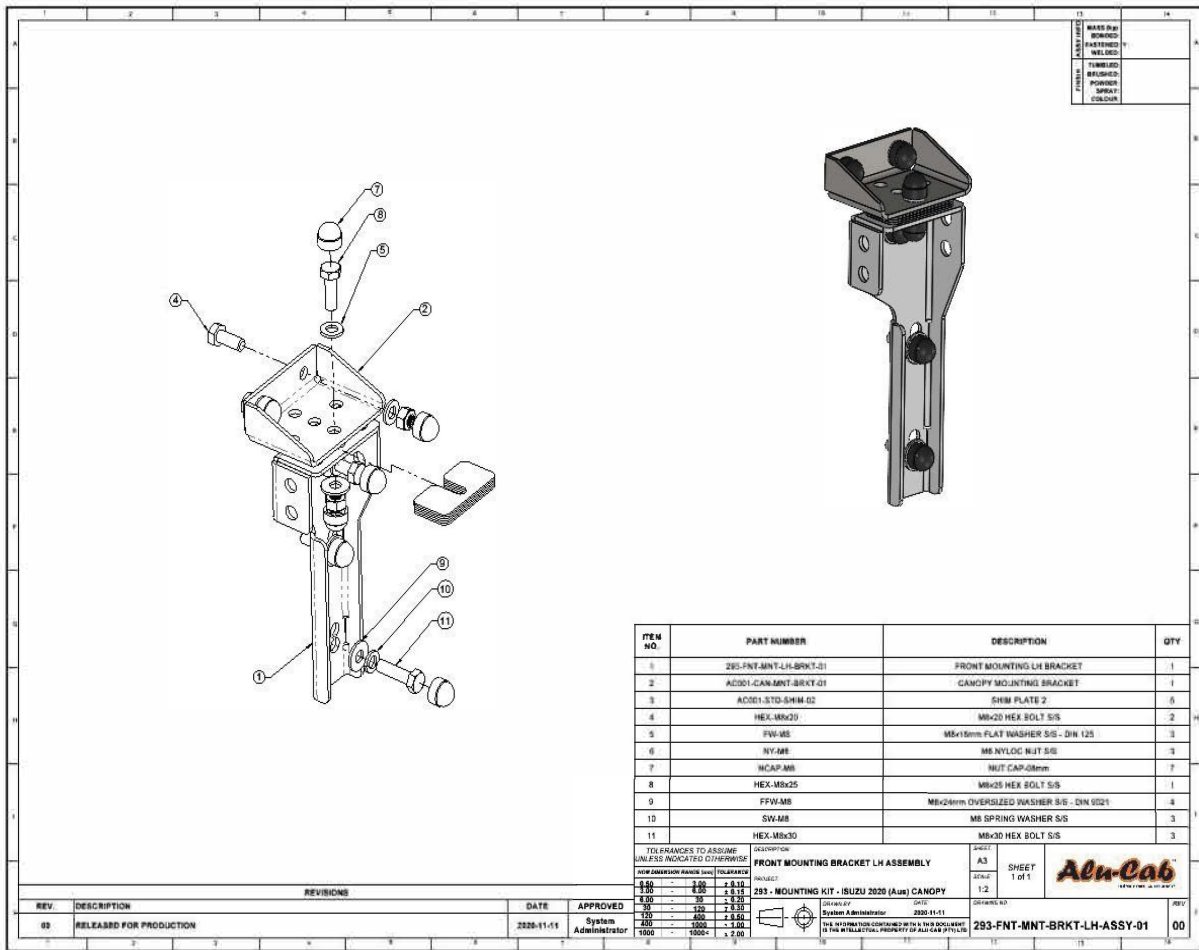


Figure 18.1 : Universal-Canopy Mounting Bolts Assembly

Figure 18.2 Supporting Front Left & Front Right Mounting Views

Figure 18.3 & 18.4 Supporting Drawings Below





c) Step 3 - Bolting the Universal Bracket to the Front Support Brackets

Align the Universal bracket to the front support bracket mounted to the load bin and insert the mounting bolt. Slide the bracket spacers between the 2 brackets and tighten / torque the bolt to specifications.



Figure 19: Front Support Bracket Installed



Figure 20: Mounting Universal-Front Support Bracket

The right-hand side support brackets has been installed, repeat the steps for the left-hand side support brackets and the canopy should be installed successfully.