

FITMENT INSTRUCTIONS

Alu-Cab[™]



Canopy to suit Toyota Hilux Revo Fitment Instructions

All rights reserved. No part of this document may be reproduced, translated, stored in a retrieval system, or transmitted, in any form or by any means, electronic, mechanical, photocopying, recording or otherwise, without prior written permission of the owner.

Review all instructions information carefully before installation.

Any damages, direct or incidental to the installer and/or property due to incorrect installation of any parts are the responsibility of the installer. Due to the various applications and fitment options available, the responsibility lies with the user to ensure all mounting points are secure and tight before every trip. If unsure, consult with your Distributor regarding the operations of our products.

Users are advised to be mindful of the load they are carrying and drive in accordance with road conditions.

DISCLAIMER

Alu-Cab

1. Canopy Fitment – Tools, Fasteners & Materials

The tables below show the equipment, i.e. tools and fasteners required to start the canopy fitment for a Toyota Hilux Revo.

1.1. Tools Required:

TOOLS
Ratchet
Phillips Screw Driver
13mm Socket
13mm Ring Flat Spanner

1.2. Fasteners required: (Included with canopy)

ITEM	QTY
• M8x30mm Hex Bolts	12 off
• M8x25mm Hex Bolts	8 off
• M8x40mm Flange/Hex Bolts	2 off
• M8 Flat Washer	20 off
• M8 Nylock Nuts	12 off
• M8 Plastic Nut Caps	24 off

1.3. Hardware Required: (Included with canopy)

ITEM	QTY
• Left Front Support Brackets	1 off
• Right Front Support Bracket	1 off
• Left Rear Support Bracket	1 off
• Right Rear Support Bracket	1 off
• Universal Bracket	4 off
• Centre Mounting Brackets	2 off
• Bracket Spacers	32 off

1.4. Consumables Required:

ITEM
• Turpentine
• Cloth
• Black sealant, silicone or Sika flex
• Window Cleaner



WARNING

Always wear appropriate PPE (Personal protection equipment) when fitting this product. Although the mounting kit is designed to be DIY, if you have any doubts or concerns, contact an accredited fitment centre to carry out the work. Alu-Cab will not be liable for any injury to persons, and/or damage to products and/or vehicles.

2. Front and Rear Canopy Support Brackets.

In Figure 1 and Figure 2 below are the canopy support brackets for the Toyota Hilux Revo.

Front Mounting Bracket



Figure 1:
Front Support Canopy Brackets

Rear Mounting Bracket



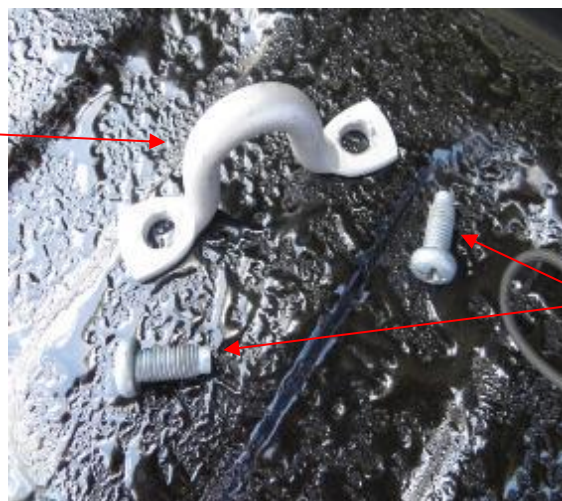
Figure 2:
Rear Support Canopy Brackets

2.1. Mounting the Support Brackets to the Load Bin

a) Step 1 – Removing the Standard Hooks

Remove the front and rear standard hook brackets from the load bin using a Philips screwdriver.

Standard Hook Brackets



Mounting screws

Figure 3: Standard Hook Points

b) Step 2 – Positions of the Front and Rear Support Brackets to the Load Bin

Figures 5 and Figure 6 shows where the mounting brackets are fixed to the load bin. The top of the brackets must be flush with the load bin.

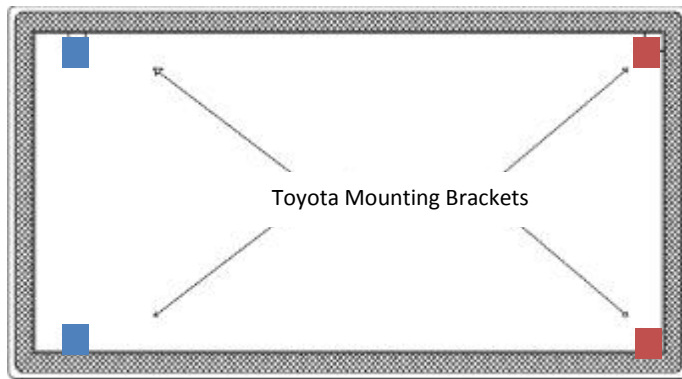


Figure 5: Top View of Load Bin

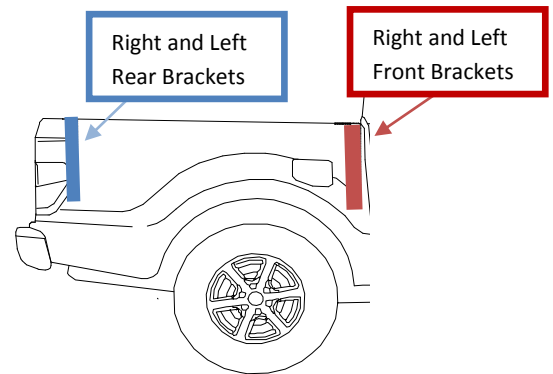


Figure 6: Side View of Load Bin

c) Step 3 – Bolting the front support brackets to the load bin

Align the hook bracket and the support bracket to the load bin mounting holes and mount it together using the same mounting screws shown in Figure 7. Alternatively, you can use M8x30 Hex bolts, flat washers and spring washer. This is done for the left and right hand side front support brackets.

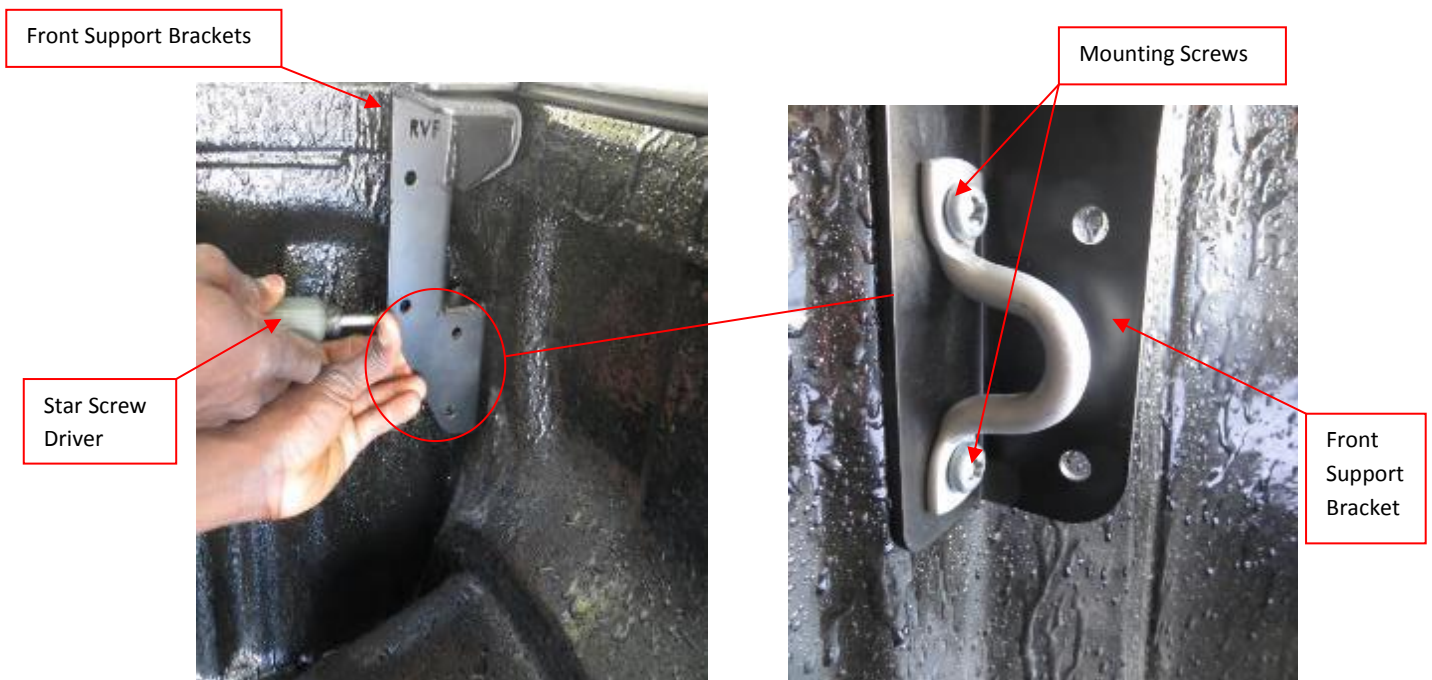


Figure 7: Installing Front Support Bracket

d) Step 4 – Bolting the rear support brackets to the load bin

Repeat Step 3 for the rear support brackets. This must be done for the left and right hand side rear support brackets.



Figure 8: Aligning the Rear Support Bracket

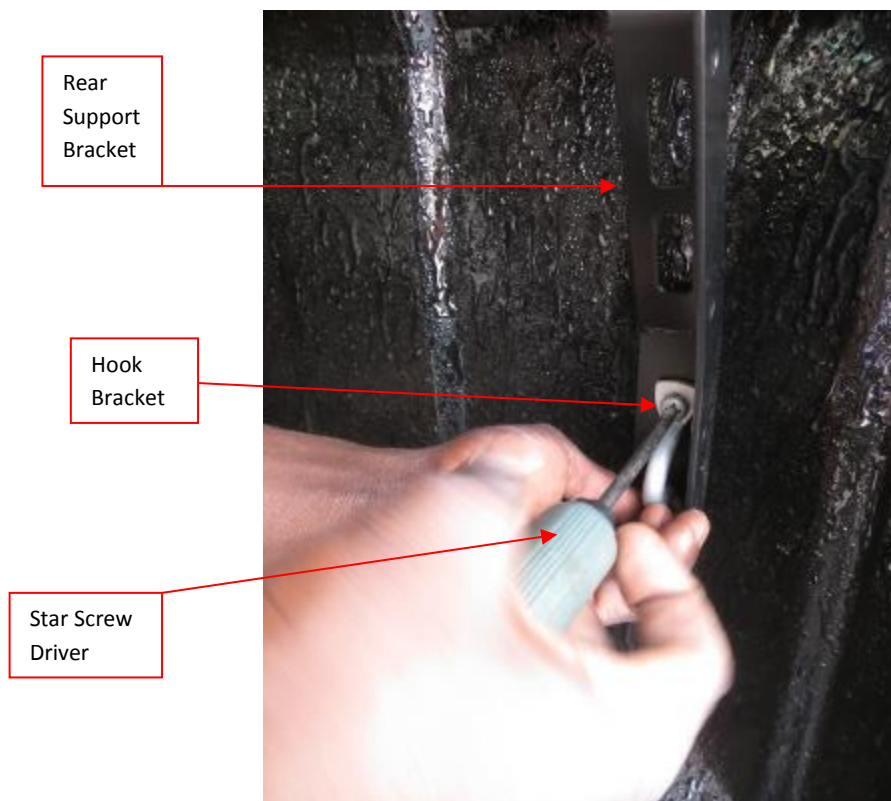


Figure 9: Mounting the Rear Support Bracket

3. Centre Mounting Brackets

The centre mounting bracket consists of two brackets shown in Figure 10 and Figure 11 below.

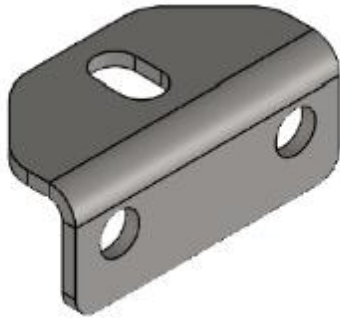


Figure 10: Canopy Mounting Bracket

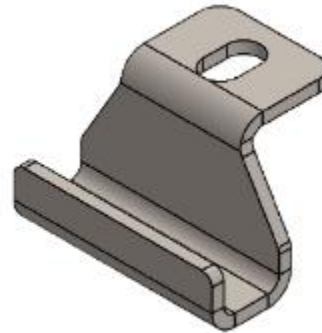


Figure 11: Load Bin Mounting Bracket

3.1. Mounting the Centre Mounting Bracket

Figure 12 below shows a section view of how the centre mounting bracket clamps onto the load bin.

Figure 13 below is the assembly of the centre mounting bracket. Alternatively, you can use a M8x40 Hex bolt for this assembly.

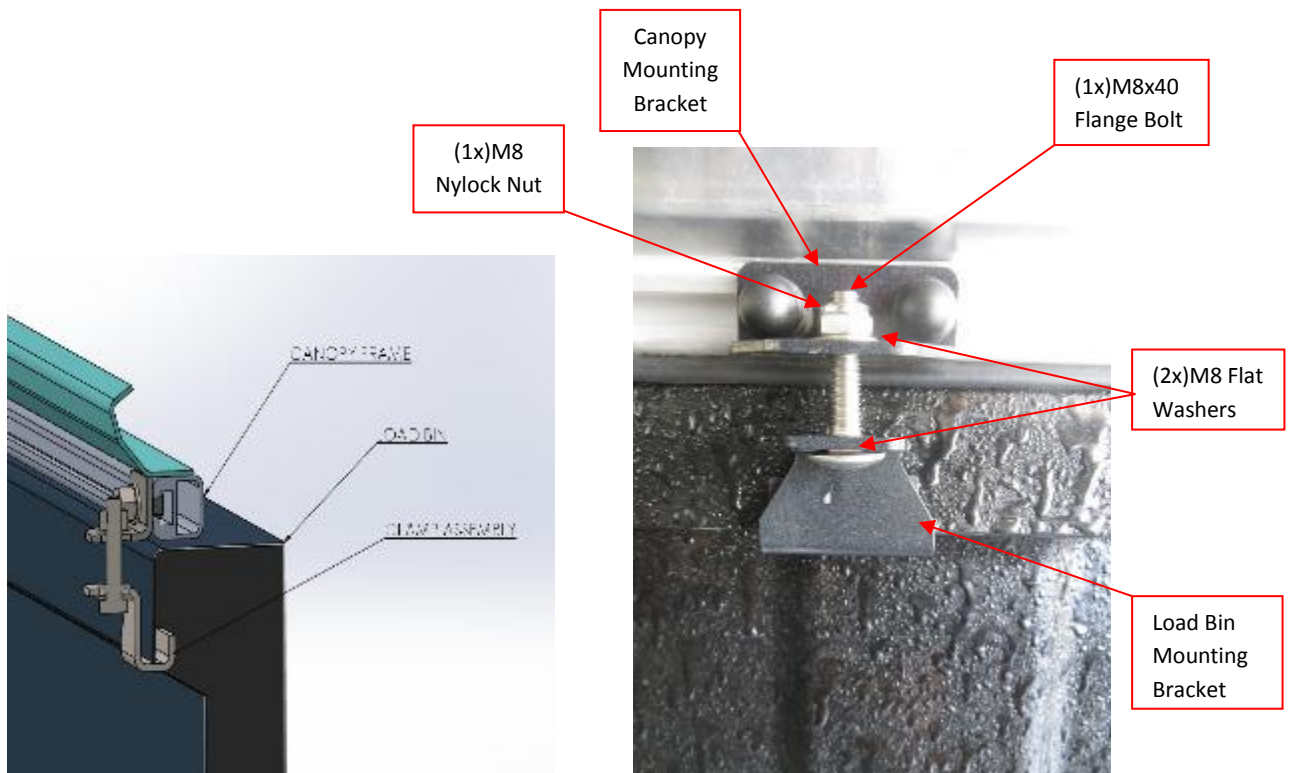


Figure 12: Section View of Clamping Method

Figure 13: Centre Bracket Mounting Assembly

4. Canopy Installation

Before placing the canopy onto the load bin, check that the D-Rubber is intact on the canopy. If this is not done, the canopy and/or load bin could be damaged or can cause leaks into the canopy.

To position the canopy, ensure that it is flush with the load bin on the inside.

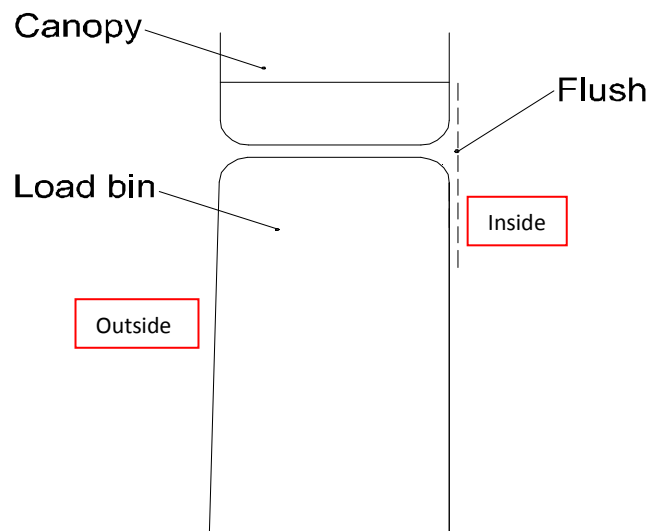


Figure 14: Canopy and Load Bin Alignment

4.1. Canopy Fitment to Load bin

Keep all the doors of the canopy open besides the rear door when placing it onto the load bin. Check alignment before bolting down.

a) Step 1 – Bolting the Universal Bracket to the Rear Support Bracket

Align the Universal bracket to the rear support bracket which is mounted to the load bin and insert the mounting bolt. If there is a space between the brackets, spacers should be placed between the Universal bracket and support bracket before tightening the bolts. Use a M8x30 Hex bolt, M8 washer and and M8 Nylock nut to tighten these brackets together.

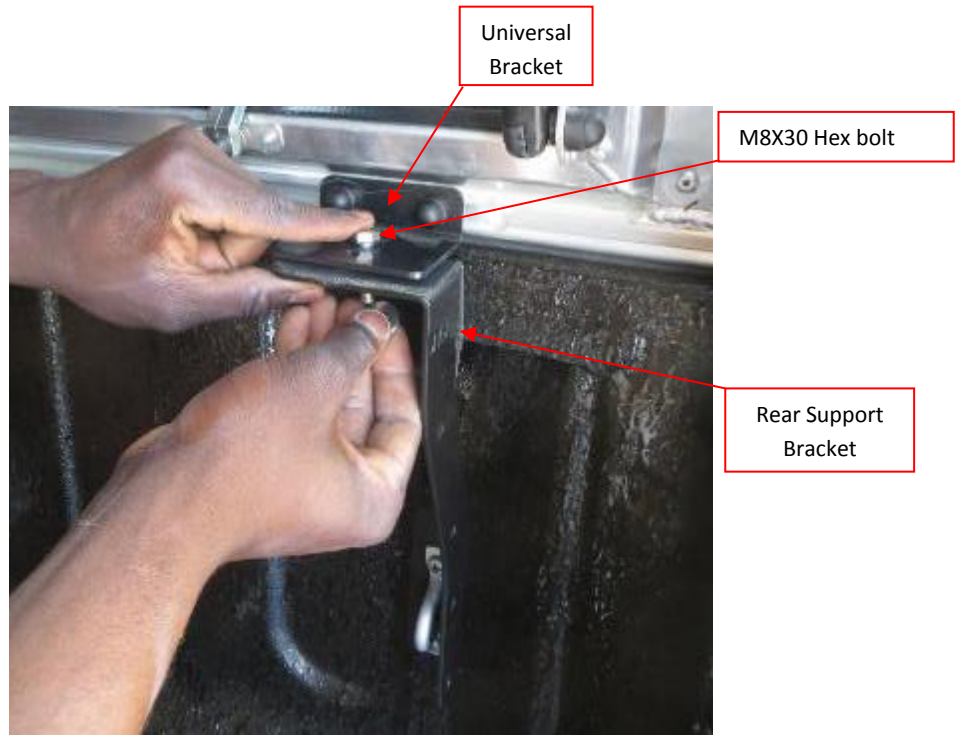


Figure 15: Inserting the Bolt for the Universal to Rear Support Bracket

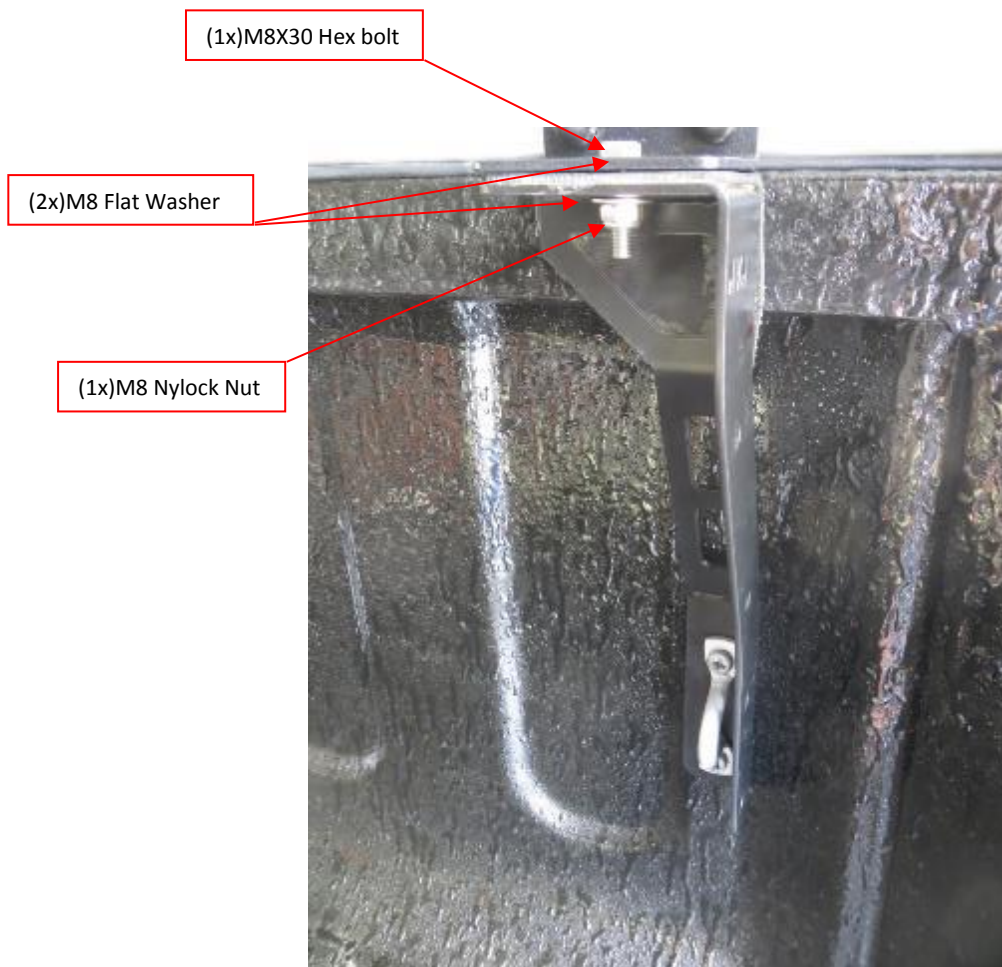


Figure 16: Mounting Bolt Assembly

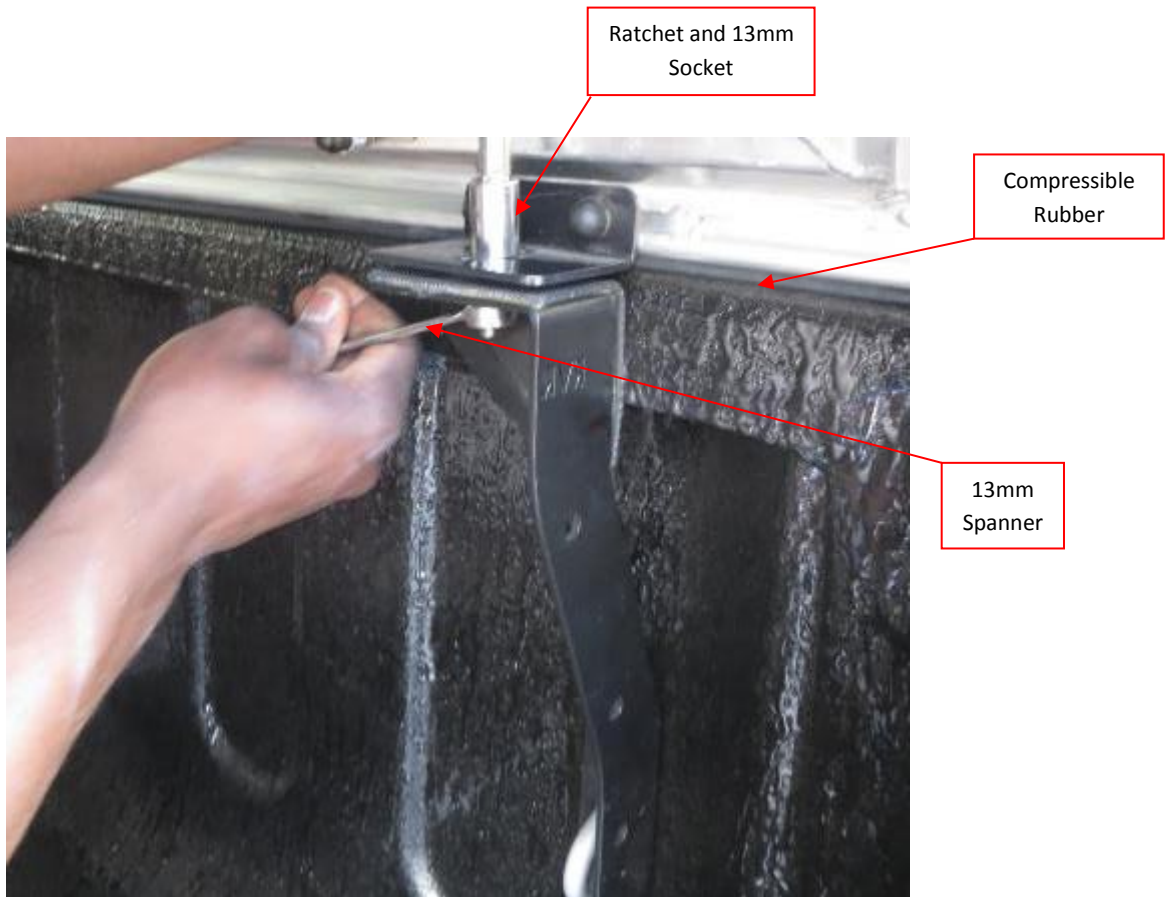


Figure 17: Tightening the Bolt for the Universal-Rear Right Support Bracket

a) Step 2 – Tightening the Universal Bracket to the Canopy

The bolts are already attached to the canopy via a nut slot. Tighten the Nylock nuts and mount the universal bracket to the canopy using a ratchet and a 13mm socket. Cover the nuts with M8 nut caps. This is done for the front and rear mountings brackets.

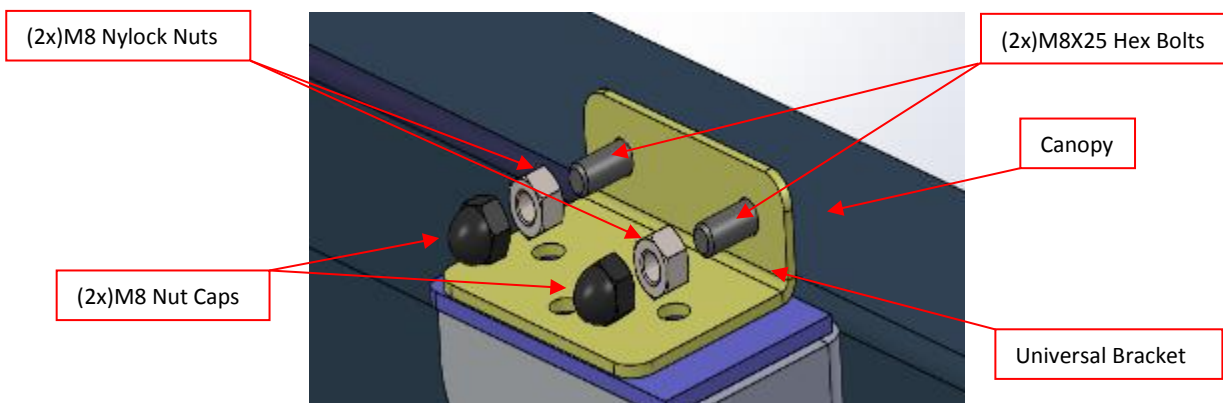


Figure 18: Universal-Canopy mounting bolts assembly



Figure 18: Rear-Right Support Bracket Installed

b) Step 3 - Bolting the Universal Bracket to the Front Support Brackets

Align the Universal bracket to the front support bracket mounted to the load bin and insert the mounting bolt. If there is space between the brackets, insert the bracket spacers to fill the gap before tightening the bolt.

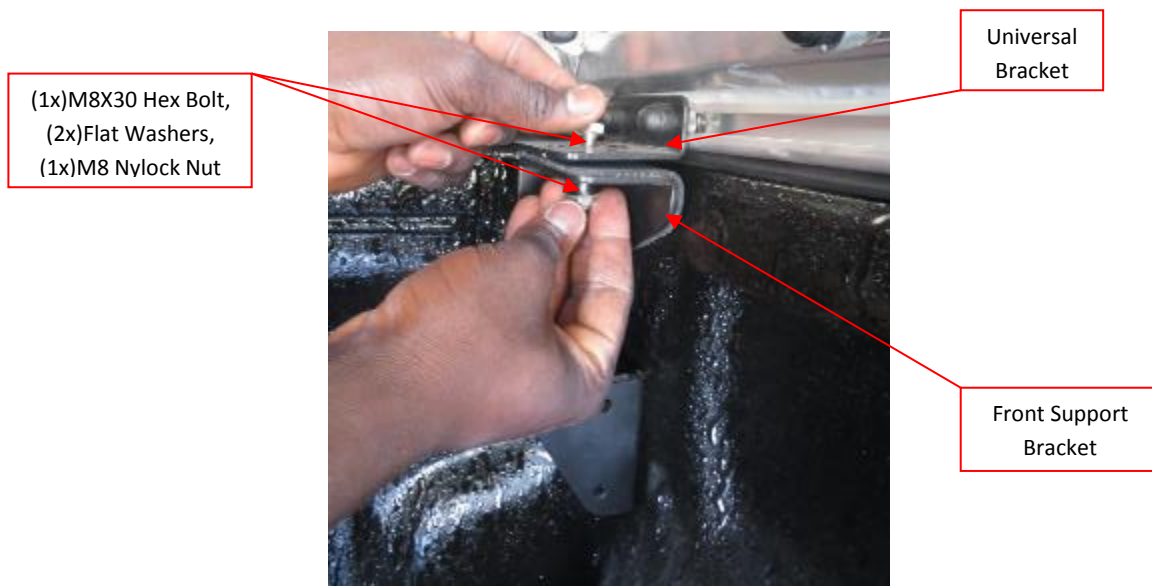


Figure 19: Inserting Bolt for Universal-Front Right Support Bracket

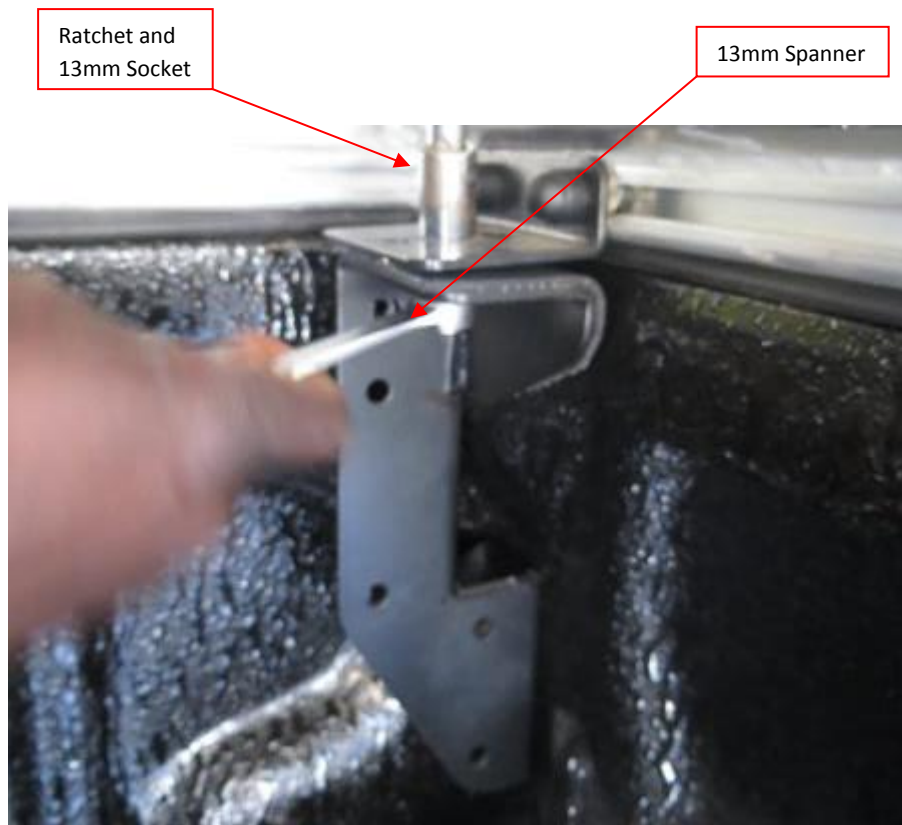


Figure 20: Tighten Bolt for Universal-Front Support Bracket



Figure 21: Front-Right Support Bracket Installed

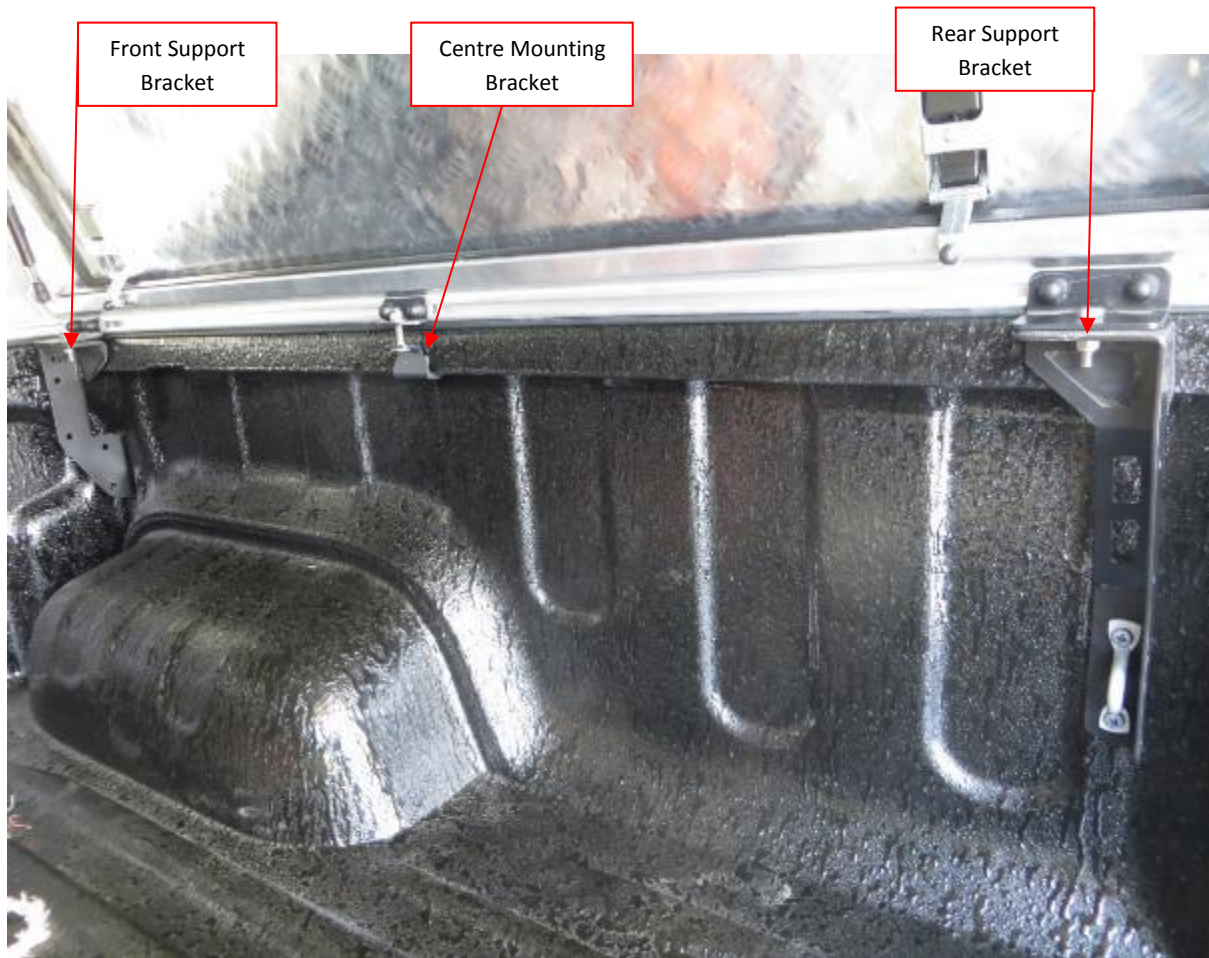


Figure 22: Right-Hand Side Support Brackets installed

After repeating and completing steps 1-3 in section 4.1 for the Left-Hand Side support brackets and section 3 for the centre mounting bracket, the canopy is installed successfully.